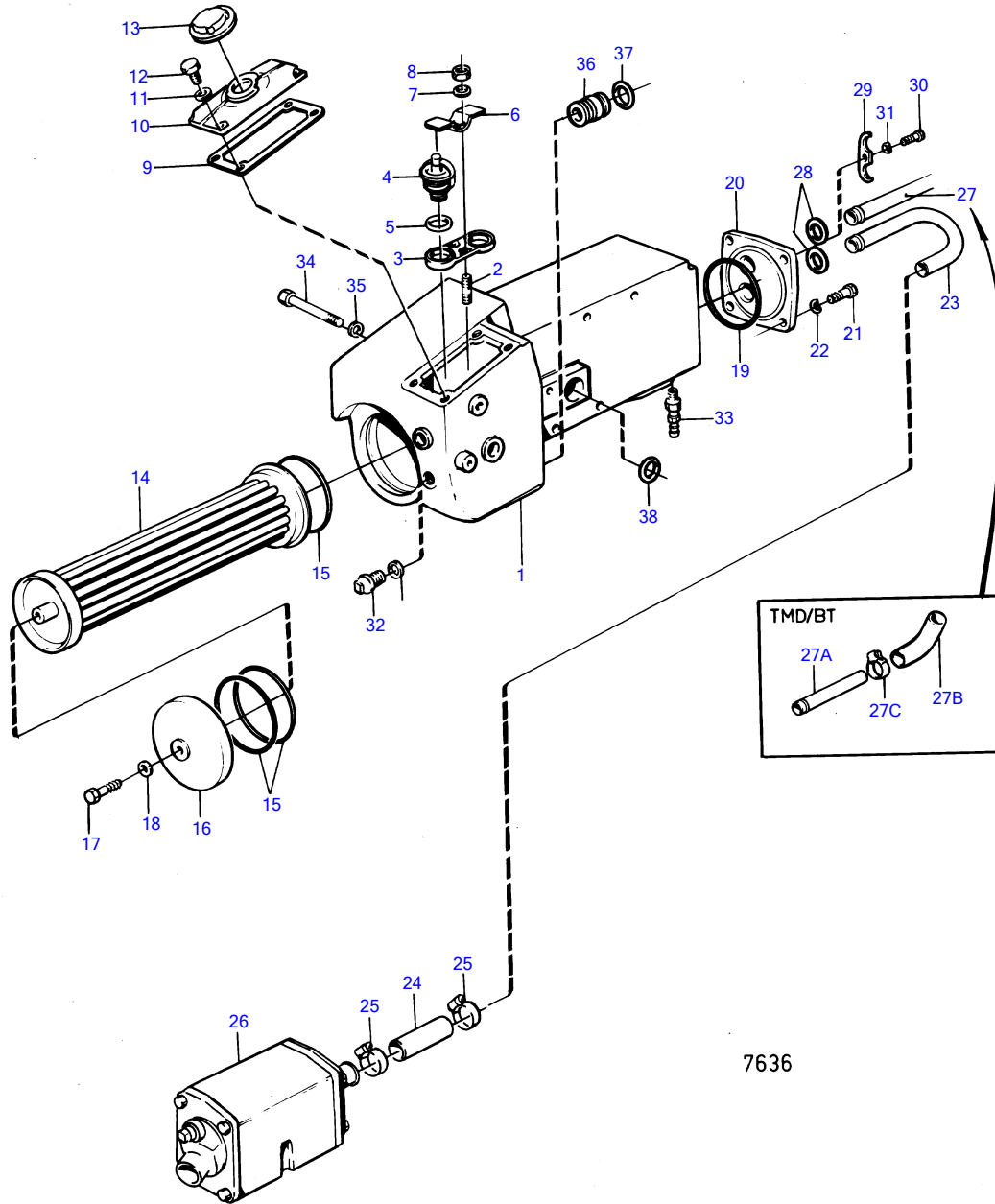


MD30A



7636

A

MD30A

| REF | PART NO. | QTY | DESCRIPTION    | SEE SEC. | NOTES   |
|-----|----------|-----|----------------|----------|---|
| 1   | 846773   | 1   | Housing        |          | REPL BY 838532                                    |
|     | 838532   | 1   | Housing        |          | POUR INDICATEUR DE TEMP% E1RATURE 840345, MO4690- |
| 2   | 924060   | 2   | Stud           |          |   |
| 3   | 845285   | 1   | Retainer       |          |   |
| 4   | 875787   | 2   | Thermostat kit |          | 76C   |
| 5   | 416033   | 2   | • Sealing ring |          |   |
| 6   | 845852   | 1   | Shield         |          | OBSOLETE PART                                     |
| 7   | 941670   | 2   | Washer         |          |   |
| 8   | 946330   | 2   | Hexagon nut    |          |   |
| 9   | 845291   | 2   | Gasket         |          | LATE TYPE   |
| 10  | 845284   | 1   | Cardboard tube |          |   |
| 11  | 941907   | 4   | Spring washer  |          |   |
| 12  | 955295   | 4   | Hexagon screw  |          |   |
| 13  | 845879   | 1   | Pressure cap   |          |   |
| 14  | 846056   | 1   | Insert         |          | REPL BY 838909                                    |
|     | 838909   | 1   | Insert         |          | MO4730-   |
|     |          |     |                |          | REPL BY 858639                                    |
|     | 858639   | 1   | Insert         |          |   |
|     |          |     | Bulletin 44-06 | 44-06-EN | Heat Exchanger, After Cooler                      |
| 15  | 925258   | 3   | O-ring         |          |   |
| 16  | 845679   | 1   | Cardboard tube |          |   |
| 17  | 963567   | 1   | Hexagon screw  |          |   |
| 18  | 11992    | 1   | Gasket         |          |   |
| 19  | 925259   | 1   | O-ring         |          |   |
| 20  | 846090   | 1   | Cardboard tube |          | OBSOLETE PART                                     |
| 21  | 955296   | 4   | Hexagon screw  |          |   |
| 22  | 941907   | 4   | Spring washer  |          |   |
| 23  | 846046   | 1   | Coolant pipe   | 18154    |   |
| 24  | 944386   | X   | Rubber hose    |          | L = 90 MM   |
| 25  | 943475   | 2   | Hose clamp     |          |   |
| 26  | 846098   | 1   | Oil cooler     |          | MO-5311   |
|     |          |     |                | 18151    |   |
|     | 838967   | 1   | Oil cooler     |          | MO5312-   |
|     |          |     |                | 18151    |   |
| 27  | 846770   | 1   | Tube           | 18154    |   |
|     |          |     |                | 18158    |   |
|     |          |     |                | 18158    |   |
| 28  | 858986   | 2   | Sealing ring   |          | (842744)  |
| 29  | 829691   | 1   | Retainer       |          |   |
| 30  | 955270   | 1   | Hexagon screw  |          |   |
| 31  | 941906   | 1   | Spring washer  |          |   |
| 32  | 952077   | 3   | Plug           |          | (952358)  |
|     | 952077   | 3   | Plug           |          | FOR 838532  |
| 33  | 949918   | 1   | Shut-off cock  |          |   |
| 34  | 955335   | 2   | Hexagon screw  |          | L = 150 MM  |
|     | 955332   | 1   | Hexagon screw  |          | L = 120 MM  |
| 35  | 941908   | 3   | Spring washer  |          |   |
| 36  | 842965   | 1   | Pipe           | 18154    |   |
| 37  | 925067   | 2   | O-ring         |          |   |
|     |          |     |                | 18154    |   |
| 38  | 925068   | 1   | O-ring         |          |   |

7744050-26-18147

7636

Upd:2010-07-01

AD30A, AQAD30A, MD30A, TAMD30A, TMD30A, AD30, AQAD30, MD30, TAMD30, TMD30

**VOLVO**  
**PENTA**