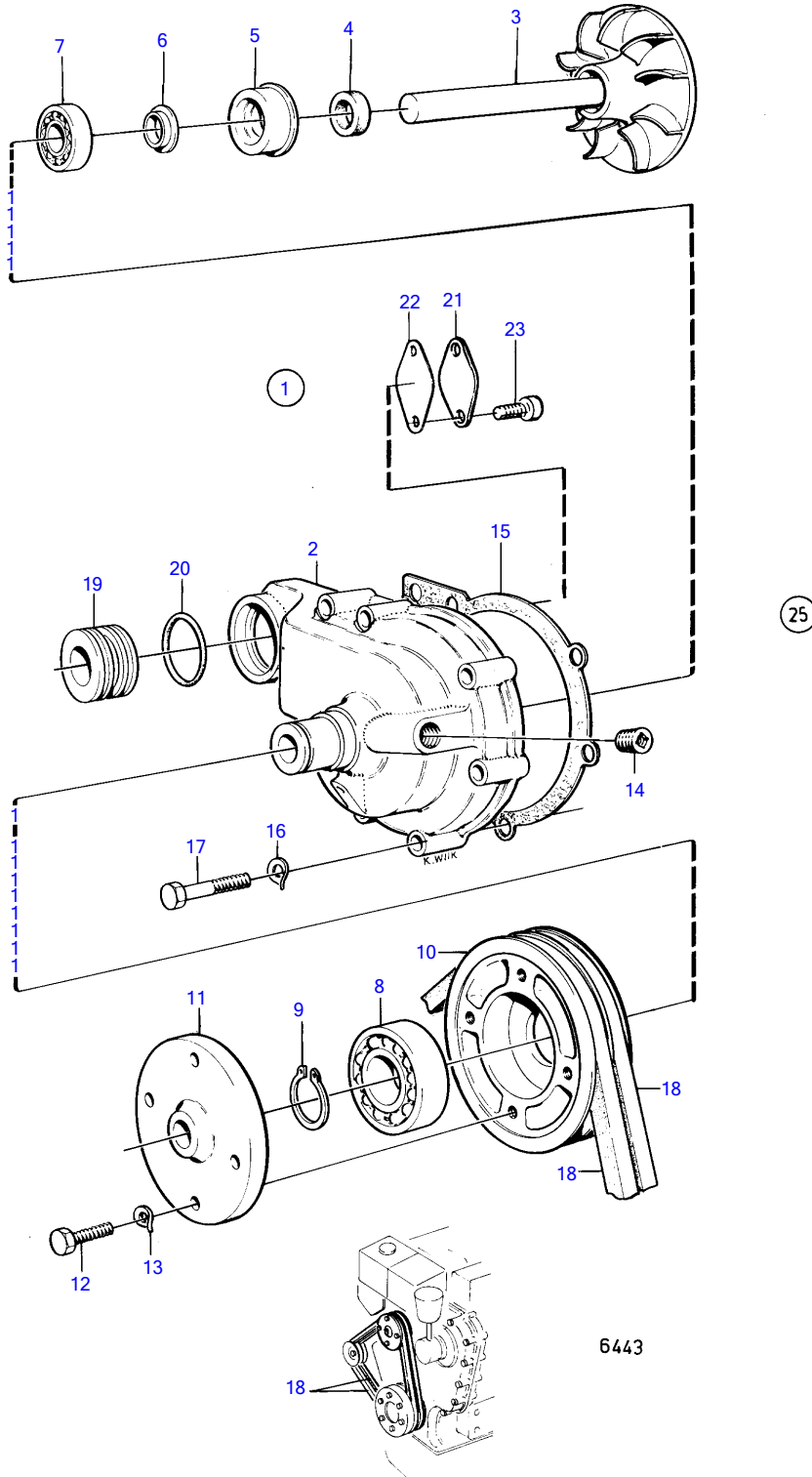


AQAD30A, MD30A, TAMD30A, TMD30A



AQAD30A, MD30A, TAMD30A, TMD30A

REF	PART NO.	QTY	DESCRIPTION	SEE SEC.	NOTES
1	846756	1	Water pump		
2		1	• HOUSING		
3		1	• SHAFT WITH IMPELLER		
4	421306	1	• Wear ring		
5	1545283	1	• Sealing ring		(1542833)
6	70913	1	• Deflector		
7	1660609	1	• Ball bearing		(181670)
8	181538	1	• Ball bearing		
9	914462	1	• Snap ring		
10	1542235	1	• Pulley		
11	1542236	1	• Hub		
12	955295	4	• Hexagon screw		
13	941907	4	• Spring washer		
14	952077	1	• Plug		
15	1542229	1	Gasket		
16	941907	7	Spring washer		
17	955298	6	Hexagon screw		L = 40 MM
18	958359	1	V-belt		L = 2X1100 MM SEE GROUP 3
19	842965	1	Pipe	18154	
20	925067	2	O-ring	18154	
21	418213	1	Flange		
22	418771	1	Gasket		
23	955271	2	Hexagon screw		
	875735	1	Repair kit		SEE GROUP 10A

7744050-26-18149

6443

Upd:2010-07-01

AD30A, AQAD30A, MD30A, TAMD30A, TMD30A, AD30, AQAD30, MD30, TAMD30, TMD30

VOLVO
PENTA