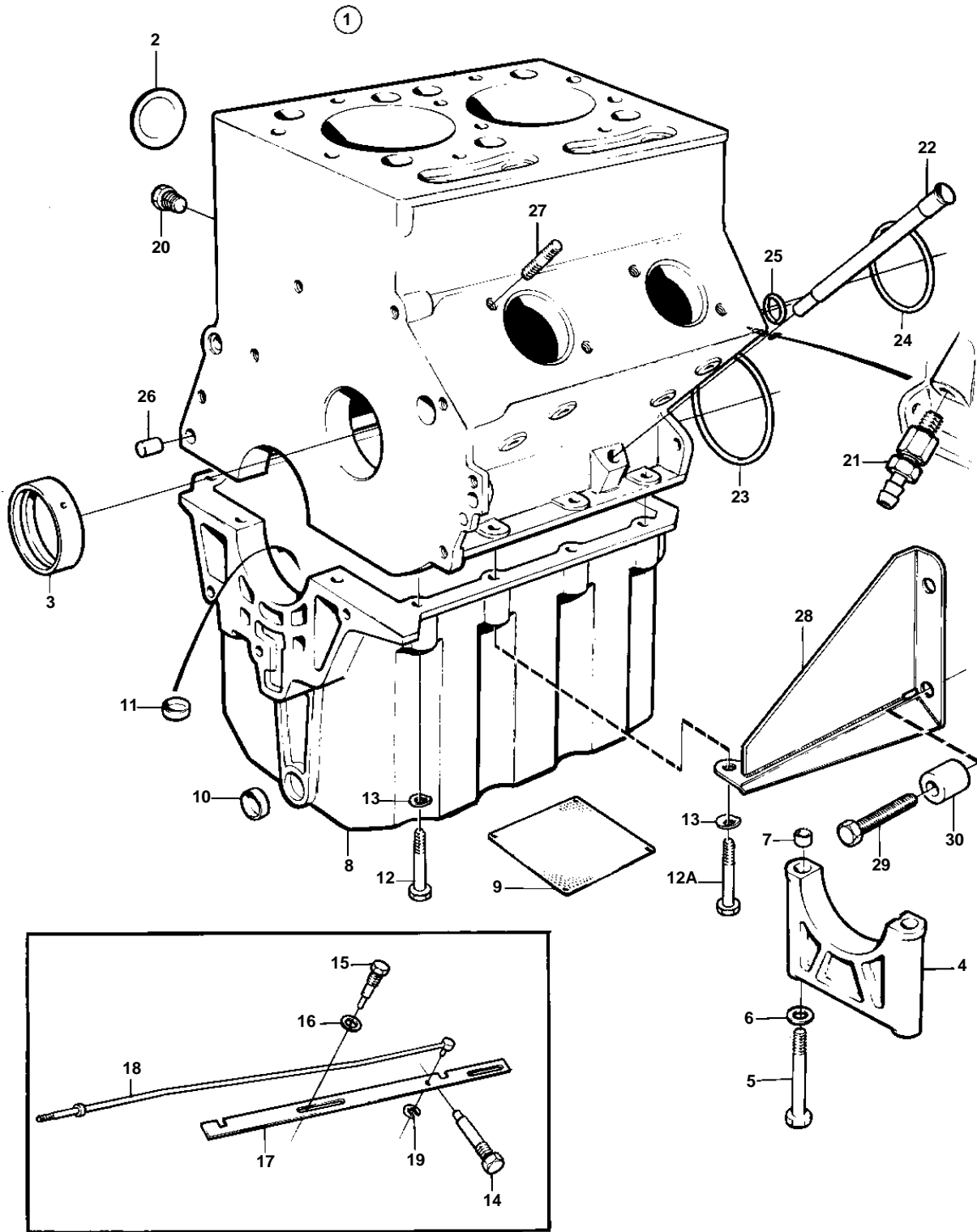


2002



10447

2002

REF	PART NO.	QTY	DESCRIPTION	NOTES
1	860232	1	Cylinder block	WITH O-RING GROOVE FOR SEALING BETWEEN CYLINDER BLOCK AND FUEL INJECTION PUMP., SN2300042236-
				REPL BY 861249
				REPL BY 861249
		1	Cylinder block	WITH O-RING GROOVE FOR SEALING BETWEEN CYLINDER BLOCK AND FUEL INJECTION PUMP.
2	477024	2	· Expansion plug	(192211)
3	463360	3	· Bushing	
4		1	· BEARING CAP	
5	963257	6	· Hexagon screw	L = 120 MM
6	840210	6	· Washer	
7	3875305	4	· Guide sleeve	
8		1	· OIL SUMP	
9		1	· Strainer	
10	840713	1	· Cap plug	
11	946778	1	· Cap plug	
12	955300	8	· Hexagon screw	L = 50 MM
13	941907	8	· Spring washer	
14	840312	2	· Screw	
15	840489	2	· Guide screw	
16	947620	2	· Gasket	
17		1	· Control rod	
18	840599	1	· Link rod	
19	951665	1	· E-circlip	
20	861551	1	· Plug	
21	947893	1	Shut-off cock	
22		1	Tube	
23	967592	1	O-ring	
24	967590	1	O-ring	
25	943177	1	O-ring	
26	950586	4	Pin	
27	924061	4	Stud	