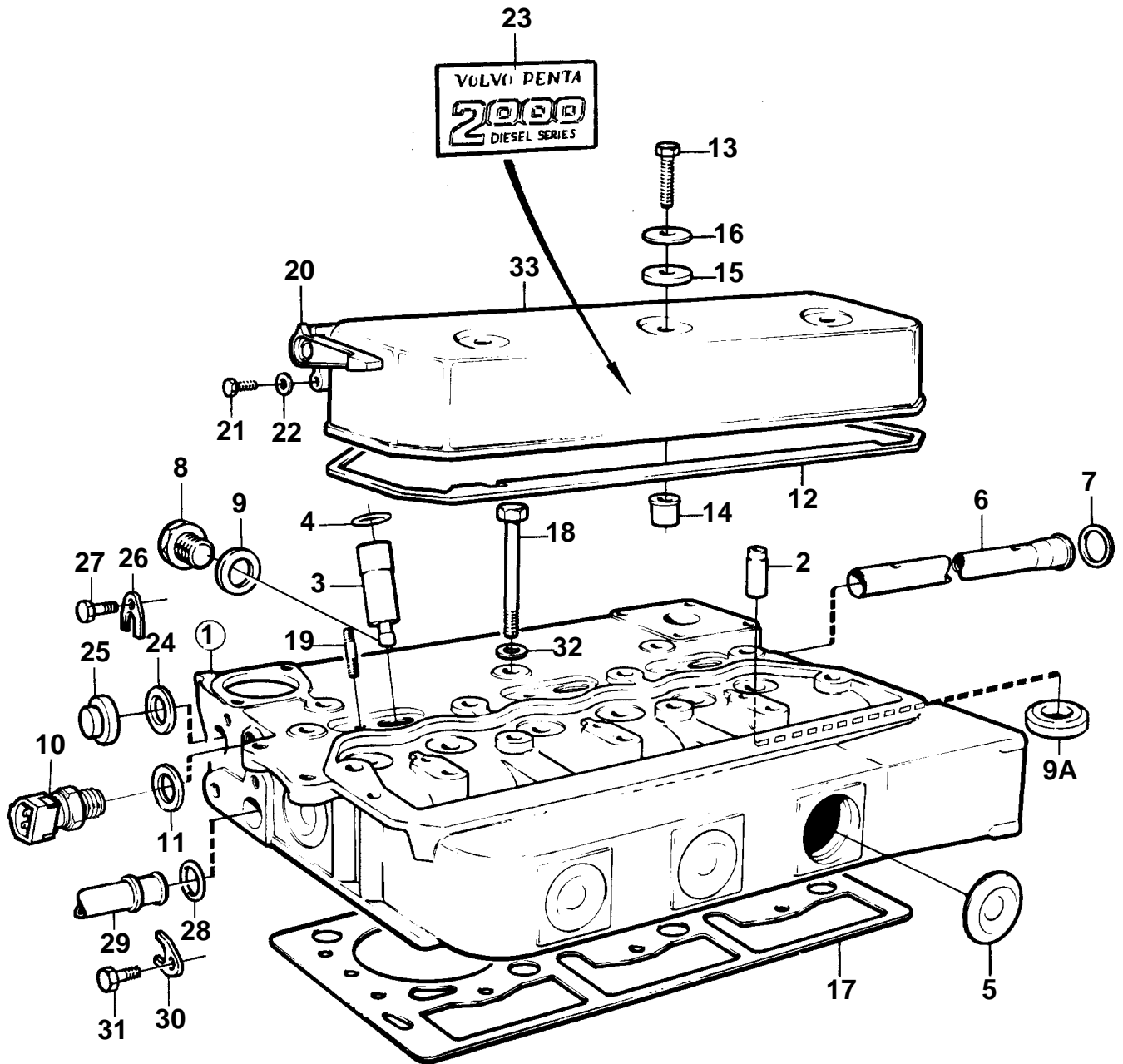


2003, 2003B



10265

2003, 2003B

REF	PART NO.	QTY	DESCRIPTION	NOTES
1	860082	1	Cylinder head	ALSO AVAILABLE AS AN EXCHANGE PART CONSISTING OF CYLINDER HEAD,INTAKE AND EXHAUST VALVES,VALVE SPRINGS,WASHERS AND LOCKS.
	3803162	1	Cylinder head, exch, exch	ALSO AVAILABLE AS AN EXCHANGE PART CONSISTING OF CYLINDER HEAD,INTAKE AND EXHAUST VALVES,VALVE SPRINGS,WASHERS AND LOCKS.
2	840281	6	• Valve guide	
3	860267	3	• Spray sleeve	
4	945221	3	• O-ring	
5	477024	7	• Expansion plug	(192211)
6	840460	1	• Distribution pipe	
7	418445	1	• Sealing ring	
8	966147	2	• Plug	
9	947630	2	• Gasket	
9A	858461	3	• Valve seat	
10	858229	1	Thermo monitor	
11	947624	1	Gasket	
12	859044	1	Gasket	
13	940142	3	Hexagon screw	
14	840441	3	Spacer sleeve	
15	840442	3	Rubber bushing	
16	840900	3	Washer	
17	859093	1	Cylinder head gasket	
18	970888	14	Hexagon screw	
19	980336	3	Stud	
20	840590	1	Intermediate lever	INCLUDED IN VALVE COVER KIT 861063 BUT HAS BEEN REMOVED AS STANDARD FROM SN2300059085-
21	940102	1	Hexagon screw	INCLUDED IN VALVE COVER KIT 861063 BUT HAS BEEN REMOVED AS STANDARD FROM SN2300059085-
22	960138	1	Washer	INCLUDED IN VALVE COVER KIT 861063 BUT HAS BEEN REMOVED AS STANDARD FROM SN2300059085-
23		1	Decal	
24	418411	1	Sealing ring	
25	840677	1	Plug	
26	840740	1	Clamp	
27	955269	1	Hexagon screw	
28	418445	1	Sealing ring	
29	840732	1	Hose connection	
30	840740	1	Clamp	
31	955269	1	Hexagon screw	
32	840210	14	Washer	
33	840339	1	Valve cover	REPL BY 861063
		1	Valve cover	VALVE COVER KIT 861063 CONSISTS OF 1EA VALVE COVER 840339,1EA LEVER 840590,1EA SCREW 940102,1EA O-RING 955976 AND 1EA WASHER 960138.THE KIT IS ALSO INTENDED FOR LATER VERSION WHERE HOLE FOR DECOMPRESSION SHAFT IS MISSING

7726000 - 21 - 11525

10265

Upd: 2009-11-25