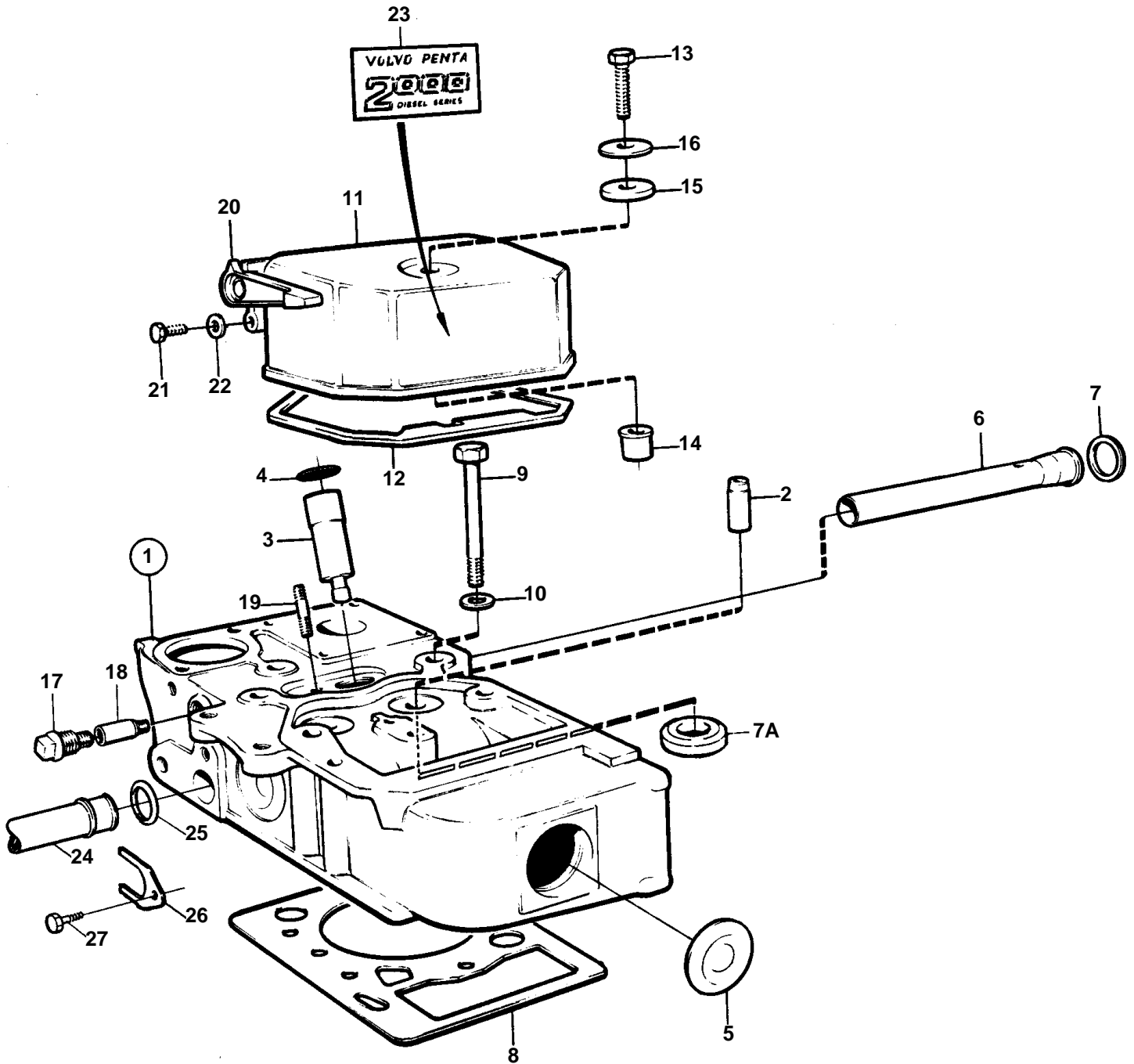


2001, 2001B, 2001AG, 2001BG



10207

2001, 2001B, 2001AG, 2001BG

REF	PART NO.	QTY	DESCRIPTION	NOTES
1	860076	1	Cylinder head	ALSO AVAILABLE AS AN EXCHANGE PART CONSISTING OF CYLINDER HEAD,INTAKE AND EXHAUST VALVES,VALVE SPRINGS,WASHERS AND LOCKS.
	3803160	1	Cylinder head, exch, exch	ALSO AVAILABLE AS AN EXCHANGE PART CONSISTING OF CYLINDER HEAD,INTAKE AND EXHAUST VALVES,VALVE SPRINGS,WASHERS AND LOCKS.
2	840281	2	• Valve guide	
3	860267	1	• Spray sleeve	
4	945221	1	• O-ring	
5	477024	4	• Expansion plug	(192211)
6	840842	1	• Distribution pipe	
7	418445	1	• Sealing ring	
7A	858461	1	• Valve seat	
8	840569	1	Cylinder head gasket	
9	970888	6	Hexagon screw	L = 100 MM
10	840210	6	Washer	
11		1	Valve cover	REPL BY 861061
	861061	1	Valve cover	VALVE COVER KIT 861061 CONSISTS OF 1EA VALVE COVER 840681,1EA LEVER 840590,1EA SCREW 940102,1EA O-RING 955976 AND 1EA WASHER 960138.THE KIT IS ALSO INTENDED FOR LATER VERSION WHERE HOLE FOR DECOMPRESSION SHAFT IS MISSING
12	859042	1	Gasket	
13	940142	1	Hexagon screw	
14	840441	1	Spacer sleeve	
15	840442	1	Rubber bushing	
16	840900	1	Washer	
17	838928	1	Plug	
18	838929	1	Electrode	
19	980336	1	Stud	
20	840590	1	Intermediate lever	INCLUDED IN VALVE COVER KIT 861061 BUT HAS BEEN REMOVED AS STANDARD FROM SN2300059085-
21	940102	1	Hexagon screw	INCLUDED IN VALVE COVER KIT 861061 BUT HAS BEEN REMOVED AS STANDARD FROM SN2300059085-
22	960138	1	Washer	INCLUDED IN VALVE COVER KIT 861061 BUT HAS BEEN REMOVED AS STANDARD FROM SN2300059085-
23		1	Decal	
24	840732	1	Hose connection	
25	418445	1	Sealing ring	
26	840740	1	Clamp	
27	955269	1	Hexagon screw	