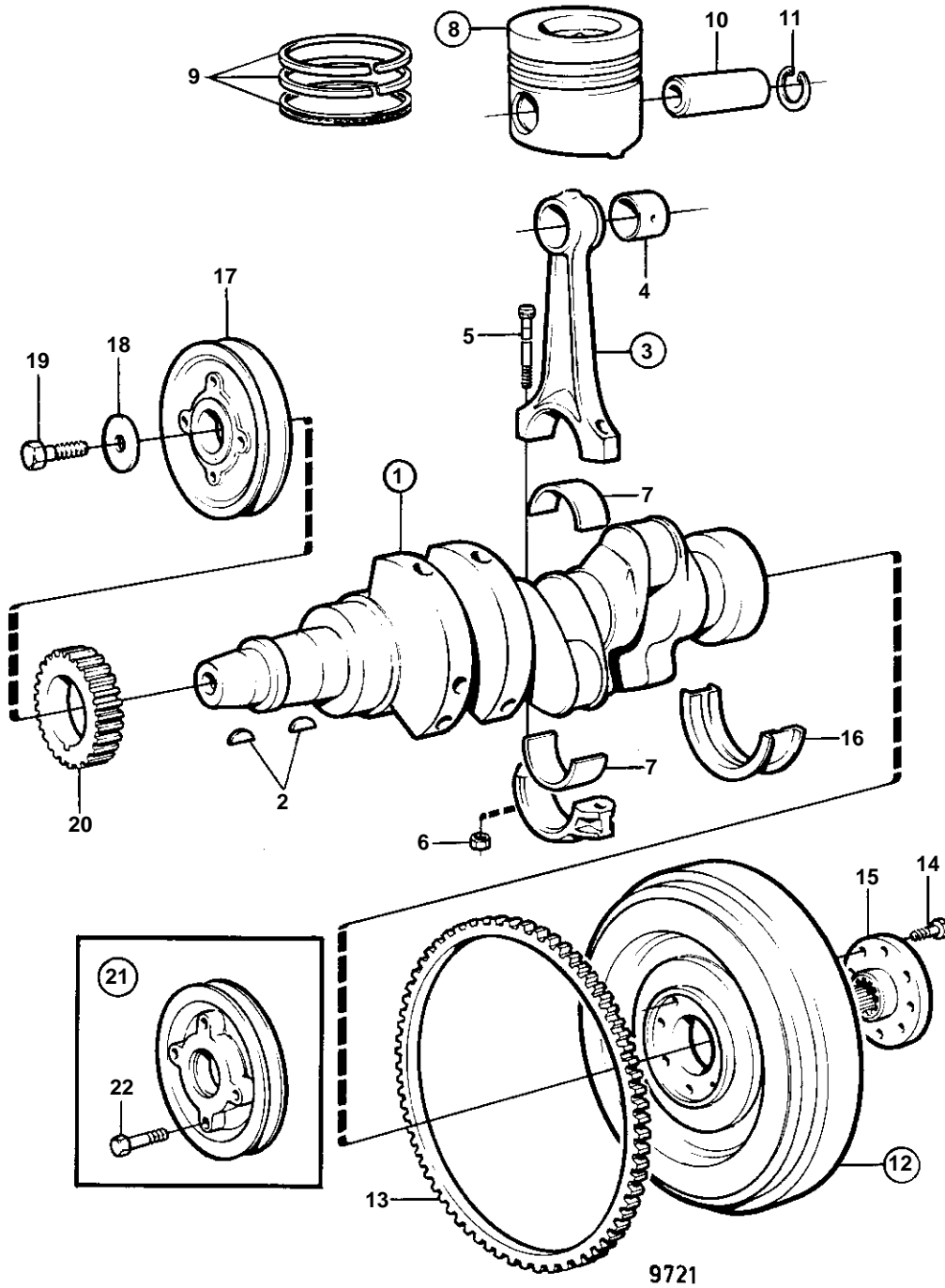


2003



2003

| REF | PART NO. | QTY | DESCRIPTION | NOTES |
|-----|----------|-----|-----------------------|------------------------------------|
| 1 | 876252 | 1 | Crankshaft | |
| 2 | 910118 | 2 | · Woodruff key | |
| 3 | | 3 | Connecting rod | (840706) |
| 4 | 840703 | 3 | · Bushing | |
| 5 | | 6 | · Screw | |
| 6 | 840705 | 6 | · Nut | |
| 7 | 875747 | 3 | Big-end bearing kit | STD D |
| | 875748 | 3 | Big-end bearing kit | 0,25MM U.S |
| | | 3 | Big-end bearing kit | 0,50MM U.S |
| 8 | 876111 | 3 | Piston kit | STD D (876009) |
| | 876112 | 3 | Piston kit | 0,25MM O.S(876010) |
| | 876113 | 3 | Piston kit | 0,50MM O.S(876011) |
| 9 | 876114 | 3 | · Piston ring kit | STD D (876012) |
| | 876115 | 3 | · Piston ring kit | 0,25MM O.S (876013) |
| | 876116 | 3 | · Piston ring kit | 0,50MM O.S (876014) |
| 10 | 840422 | 3 | · Piston pin | |
| 11 | 951086 | 6 | · Snap ring | |
| 12 | 861047 | 1 | Flywheel | |
| 13 | 6842185 | 1 | · Gear ring | |
| 14 | 970878 | 8 | Hexagon screw | L = 40 MM (963245) |
| 15 | 840592 | 1 | Companion flange | Superseded by mounting kit 3581117 |
| | 3581117 | 1 | Set, companion flange | |
| 16 | 875751 | 1 | Main bearing kit | STD D |
| | 875753 | 1 | Main bearing kit | 0,25MM U.S |
| | 875755 | 1 | Main bearing kit | 0,50MM U.S |
| 17 | 840668 | 1 | Pulley | |
| 18 | 190763 | 1 | Washer | |
| 19 | 970948 | 1 | Hexagon screw | (955318) |
| 20 | 840350 | 1 | Gear | |
| 21 | | 1 | Pulley, EXTRA | |
| 22 | 955297 | 4 | · Hexagon screw | |