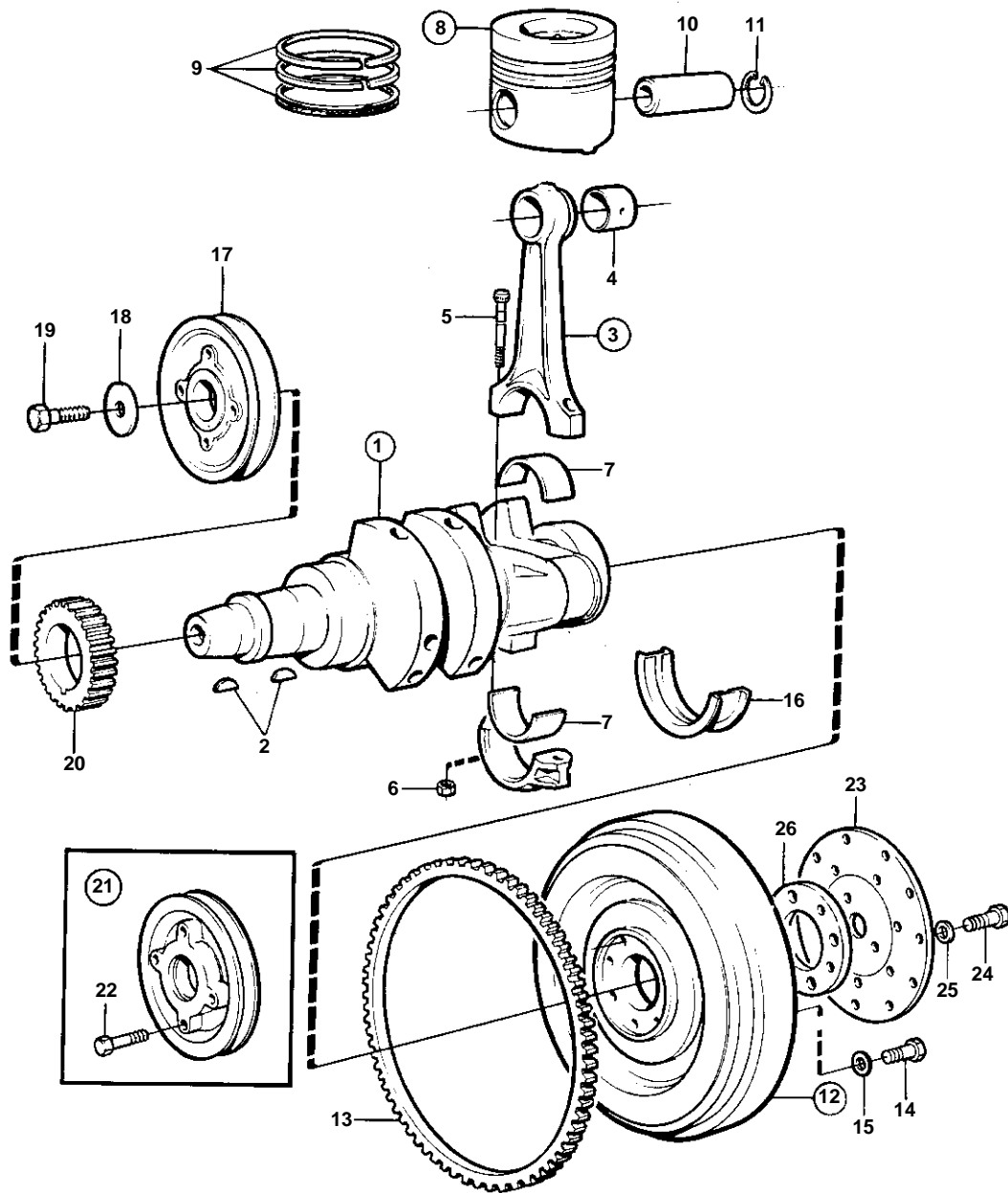


2002B



9720

2002B

REF	PART NO.	QTY	DESCRIPTION	NOTES
1	876251	1	Crankshaft	
2	910118	2	· Woodruff key	
3		2	Connecting rod	
4	840703	2	· Bushing	
5		4	· Screw	
6	840705	4	· Nut	
7	875747	2	Big-end bearing kit	STD D
	875748	2	Big-end bearing kit	0,25MM U.S
		2	Big-end bearing kit	0,50MM U.S
8		2	Piston kit	STD D
	876291	2	Piston kit	0,25MM O.S
	876292	2	Piston kit	0,50MM O.S
9	876114	2	· Piston ring kit	STD D
	876115	2	· Piston ring kit	0,25MM O.S
	876116	2	· Piston ring kit	0,50MM O.S
10	840422	2	· Piston pin	
11	951086	4	· Snap ring	
12		1	Flywheel	
13	6842185	1	· Gear ring	
14	970878	8	Hexagon screw	
15	941908	8	Spring washer	
16	875750	1	Main bearing kit	STD D
		1	Main bearing kit	0,25MM U.S
	875754	1	Main bearing kit	0,50MM U.S
17	840668	1	Pulley	
18	190763	1	Washer	
19	970948	1	Hexagon screw	(955318)
20	840350	1	Gear	
21		1	Pulley, EXTRA	
22	955297	4	· Hexagon screw	
23	858778	1	Absorber	
24	955523	8	Hexagon screw	5/16UNCX16
25	941907	8	Spring washer	
26	858801	1	Spacer plate	