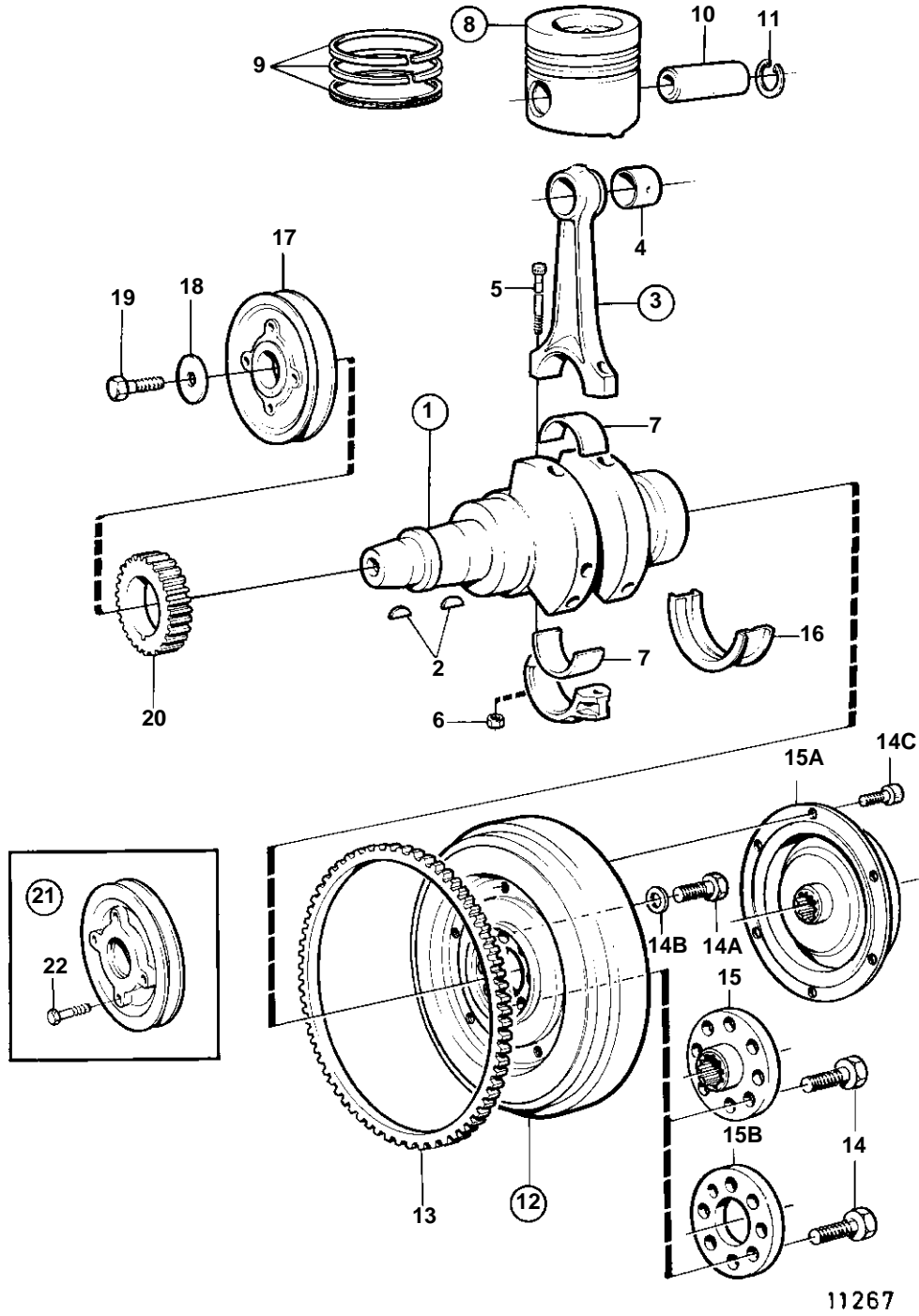


2001



2001

REF	PART NO.	QTY	DESCRIPTION	NOTES
1	876250	1	Crankshaft	
2	910118	2	• Woodruff key	
3		1	Connecting rod	
4	840703	1	• Bushing	
5		2	• Screw	
6	840705	2	• Nut	
7	875747	1	Big-end bearing kit	STD D
	875748	1	Big-end bearing kit	0,25MM U.S
		1	Big-end bearing kit	0,50MM U.S
8		1	Piston kit	STD D
	876291	1	Piston kit	0,25MM O.S
	876292	1	Piston kit	0,50MM O.S
9	876114	1	• Piston ring kit	STD D
	876115	1	• Piston ring kit	0,25MM O.S
	876116	1	• Piston ring kit	0,50MM O.S
10	840422	1	• Piston pin	
11	951086	2	• Snap ring	
12	840321	1	Flywheel	REPL BY 861047 REPL BY 861047
13	6842185	1	• Gear ring	
14	970878	8	Hexagon screw	L = 40 MM
15	840592	1	Companion flange	Superseded by mounting kit 3581117
	3581117	1	Set, companion flange	
15A	21176531	1	Vibration damper	For S-drive 130S/SR.
16	875773	1	Main bearing kit	STD D
	875774	1	Main bearing kit	0,25MM U.S
		1	Main bearing kit	0,50MM U.S
17	840668	1	Pulley	
18	190763	1	Washer	
19	970948	1	Hexagon screw	
20	840350	1	Gear	
21		1	Pulley, EXTRA	
22	955297	4	• Hexagon screw	