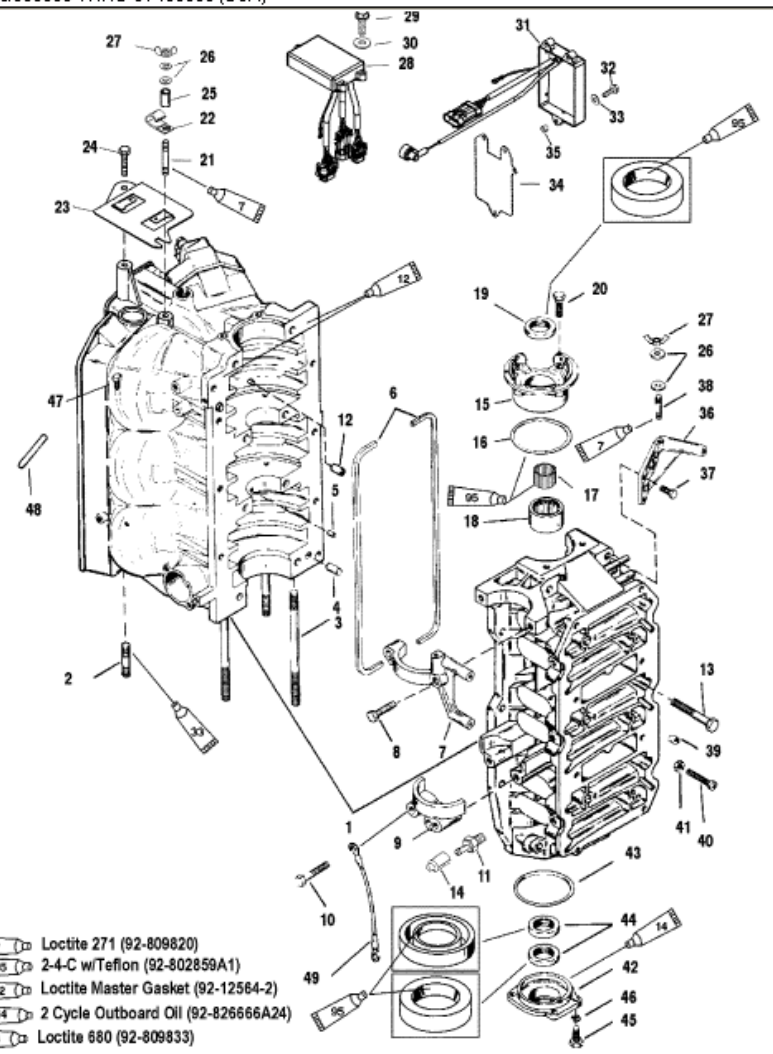


Parts List



Ref	Class	Part	Description	Qty	Comment	Footnote
1	884	858257T 7	CYLINDER BLOCK	1	(150)	5
1	884	858257T 8	CYLINDER BLOCK	1	(175)	5
1	884	858257T 9	CYLINDER BLOCK	1	(200)	5
2	16	818138 4	STUD-POWERHEAD (1-3/4 IN.)	6		5
3	16	67065 3	STUD-POWERHEAD (5-1/2 IN.)	2		5
3	16	78438 4	STUD-POWERHEAD (6-3/4 IN.)	2		5
4	17	43044	DOWEL PIN-LOCATING	2		5
5	17	67296	DOWEL PIN (BEARING RACE)	2		5
6	27	11338	GASKET-SEALING	2	(USE WHERE APPLICABLE)	5,2
7		42249	COVER-STARTER MOTOR (UP)	1		5
8	10	828213	SCREW (1-1/2 IN.) (HEX FLANG	2		5
9		76867	COVER (LOWER)	1		5
10	10	828214	SCREW (2 IN.) (HEX HEAD FLAN	2		5
11	21	878105	CHECK VALVE	1		5
12	23	99448	BUSHING	1		5
13	10	66717	SCREW (3/8-16 X 3-1/4 IN.)	8		5
13	10	74824	SCREW (.312-18 X 1-1/4 IN.)	6		5
14		NSS	PLUG	1		
15	1159	858521T 1	UPPER END CAP ASSEMBLY	1		5
16	25	54029	O-RING	1		2,5
17	31	16756A 4	ROLLER BEARING	1		5
18		NSS	RACE	1		5
19	26	41953	OIL SEAL	1		5
20	10	30225	SCREW (5/16-18 X 1 IN.)	4		5
21	16	15094	STUD (1-7/8 IN.)	1		
22	54	63153	J CLIP	1		
23		857167	BRACKET	1		
24	10	68513	SCREW (10-32 x .375)	1		
25	23	67269	SPACER	1		
26	12	49221	WASHER	3		
27	11	816874	NUT	3		
28		857169T 2	CONTROL MODULE	1		
29	10	69020	SCREW (10-32 x 7/8)	3		
30	12	30164	WASHER	3		
31		826800A 9	DETONATION CONTROLLER	1	(200)	
32	10	88447	SCREW (3/16-32 x 1-5/8)	3	(200)	
33	12	30164	WASHER	3	(200)	
34		13381	PLATE	1	(200)(Use where Applicable)	
35	23	94304	BUSHING	3	(200)	
36		42248	BRACKET	1		
37	10	49668	SCREW (2/4 IN.)	2		

- 7 Loctite 271 (92-809820)
- 99 2-4-C w/Teflon (92-802859A1)
- 12 Loctite Master Gasket (92-12564-2)
- 14 2 Cycle Outboard Oil (92-826666A24)
- 33 Loctite 680 (92-809833)