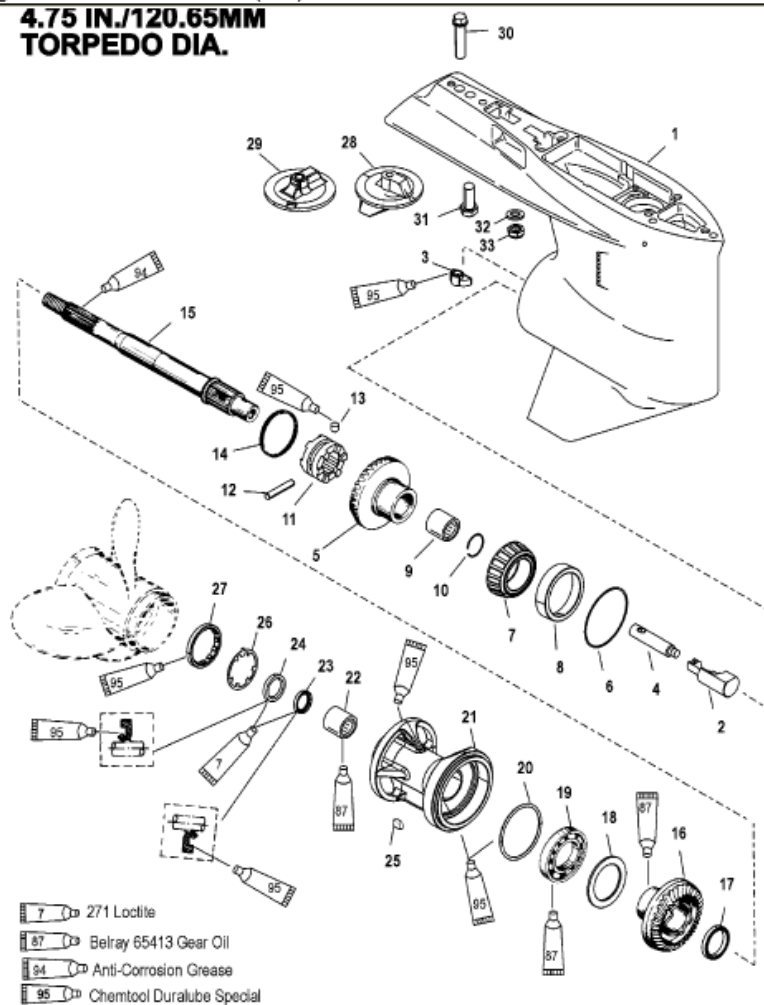


**4.75 IN./120.65MM  
 TORPEDO DIA.**



Parts List						
Ref	Class	Part	Description	Qty	Comment	Footnote
0	1647	<a href="#">9148T84</a>	GEAR HOUSING (COMPLETE)	1	(LONG - 1.87:1)	
0	1647	<a href="#">9148T85</a>	GEAR HOUSING (COMPLETE)	1	(X-LONG - 1.87:1)	
0	1647	<a href="#">9148T81</a>	GEAR HOUSING (COMPLETE)	1	(LONG - 2:1)	
0	1647	<a href="#">9148T82</a>	GEAR HOUSING (COMPLETE)	1	(X-LONG - 2:1)	
1	1647	9148T93	GEAR HOUSING (BASIC)	1		
2		89594A 1	CAM FOLLOWER	1		24
3		78956 2	SHIFT CAM	1		24
4		828287	ROD	1		24
5	43	878613A 2	FORWARD GEAR	1	(1.87:1 - 15/28)	
5	43	878615A 2	FORWARD GEAR	1	(2:1 - 14/28)	
6	15	44491A 1	SHIM (.006 THRU .050)	AR		23
7	31	30894A 1	TAPERED ROLLER BEARING	1		
8		NSS	CUP	1		
9	31	30895T	NEEDLE BEARING	1		23
10	53	856823	RETAINING RING	1		
11	52	859340T	CLUTCH	1		24
12	17	30632	CROSS PIN	1		24
13	17	828356	DETENT PIN	1		24
14	24	30893	SPRING	1		24
15	44	94148	PROPELLER SHAFT	1		
16	43	828175A 1	REVERSE GEAR	1	(1.87:1 - 15/28)	
16	43	828177A 1	REVERSE GEAR	1	(2:1 - 14/28)	
17	23	824108	THRUST SPACER	1		
18		68100 1	THRUST RING	1		23
19	30	88957T	BALL BEARING	1		23
20	25	31534	O-RING	1		2.15
21		43567T 1	BEARING CARRIER ASSEMBLY	1		
22	31	30956T	ROLLER BEARING	1		23
23	26	14077	OIL SEAL (INSIDE)	1		
24	26	76868	OIL SEAL (OUTSIDE)	1		15
25	28	30281	KEY	1		
26	14	79447	TAB WASHER	1		23
27		79448	COVER	1		
28		31640T 5	TRIM TAB	1		
29		<a href="#">76214Q 5</a>	ANODIC PLATE	1		
30	10	806327	SCREW (1-3/4 IN.)	1		
31	10	65210	SCREW (3/8-16 X 1 IN.)	1		
32	12	45176	WASHER	2		
33	11	34933	NUT	2		
-	26	89238A 2	G/H SEAL KIT	1		23
-	52	892491T 1	CLUTCH/CAM FOLLOWER ASSY	1		