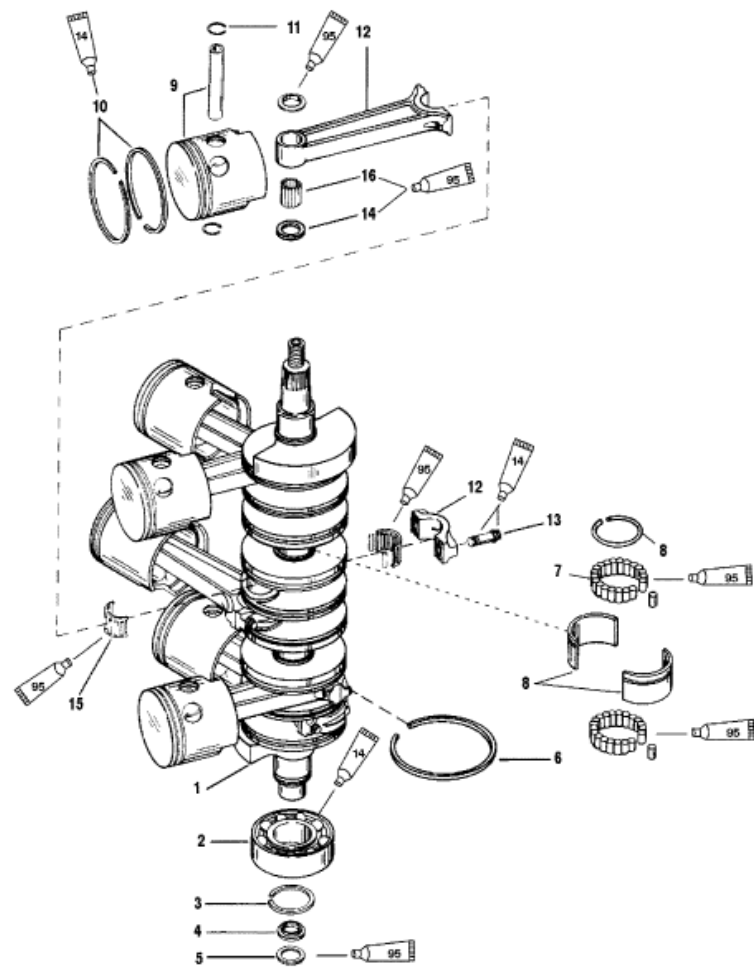


Parts List



14 2 Cycle Outboard Oil (92-13249A24)

95 2-4-C w/Teflon (92-825407A12)

| Ref | Class | Part | Description | Qty | Comment | Footnote |
|-----|-------|-----------|---------------------------|-----|------------------------|----------|
| 1 | 455 | 850690A 2 | CRANKSHAFT ASSEMBLY | 1 | | 1 |
| 2 | 30 | 67923 | BALL BEARING (LOWER) | 1 | | 1 |
| 3 | 53 | 67446 | RETAINING RING | 1 | | 1 |
| 4 | | 54196A 6 | CARRIER ASSEMBLY | 1 | | 1 |
| 5 | | 65800 | SEAL | 1 | | 1,2 |
| 6 | 39 | 67377 | RING-SEALING | 7 | | 1 |
| 7 | 31 | 16756A 6 | ROLLER BEARING | 2 | | 1 |
| 8 | | NSS | RACE | 2 | | 3,1 |
| 9 | 2716 | 853341A 2 | PISTON | 3 | (STARBOARD-STANDARD) | 1 |
| 9 | 2716 | 853341A10 | PISTON | AR | (STARBOARD - .015 O/S) | 6 |
| 9 | 2716 | 853340A 2 | PISTON | 3 | (PORT-STANDARD) | 1 |
| 9 | 2716 | 853340A10 | PISTON | AR | (PORT - .015 O/S) | 6 |
| 10 | 39 | 853306A12 | PISTON RING | 1 | (STANDARD) | 1 |
| 10 | 39 | 857120T12 | PISTON RING | AR | (.015 O/S) | 6 |
| 10 | 39 | 857121T12 | PISTON RING | AR | (.030 O/S) | 6 |
| 11 | 40 | 52035 | LOCK RING | 12 | | 1 |
| 12 | 644 | 818141A 2 | CONNECTING ROD ASSEMBLY | 6 | | 1 |
| 13 | 10 | 76349 1 | SCREW | 12 | | 1 |
| 14 | 12 | 812876 | WASHER | 12 | | 1 |
| 15 | 31 | 17514A 2 | ROLLER BEARING ASSEMBLY | 6 | | 1 |
| 16 | 29 | 822553 | NEEDLE BEARING-PISTON EN[| 174 | | 1 |
| - | 27 | 814754A98 | GASKET SET | 1 | | |
| - | | 854008A98 | POWERHEAD | 1 | | |