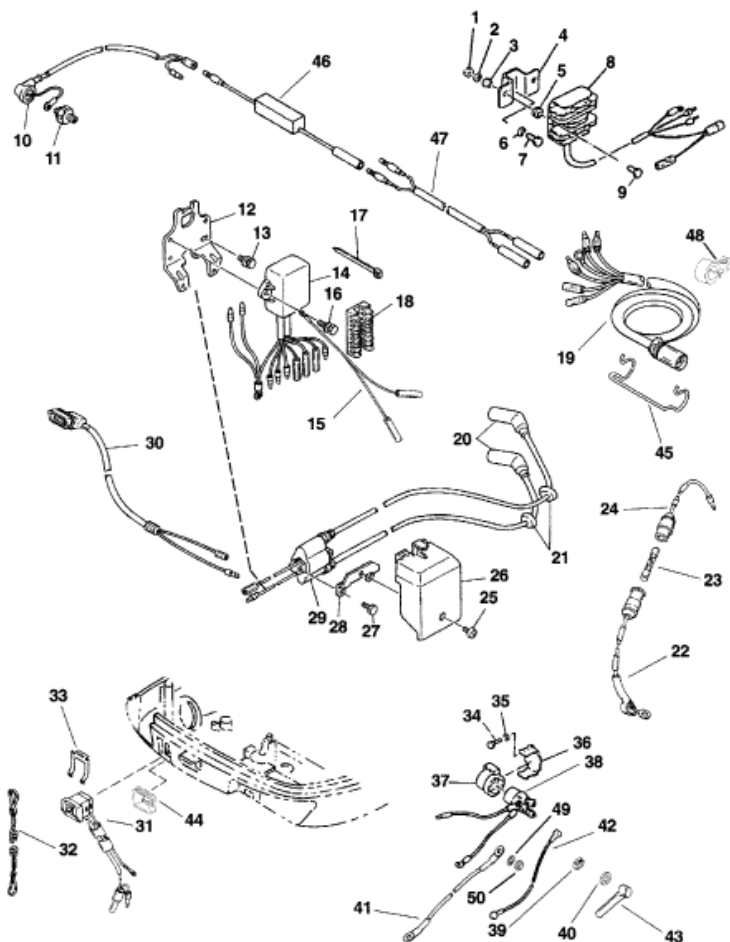
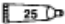


Parts List



 Liquid Neoprene (92-25711--2)
 Apply Liquid Neoprene to all ring terminal connections

Ref	Class	Part	Description	Qty	Comment	Footnote
1	11	82390M	NUT	2	ELECTRIC MODELS	
2	12	82214M	WASHER	2	ELECTRIC MODELS	
3	23	17044M	BUSHING	2	ELECTRIC MODELS	
4		825682	BRACKET	1	ELECTRIC MODELS	
5	25	97687M	GROMMET	2	ELECTRIC MODELS	
6	12	29245	WASHER	2	ELECTRIC MODELS	
7	10	40003 29	SCREW (M6 X 20)	1	ELECTRIC MODELS	
8		825680	RECTIFIER/REGULATOR ASSEM	1	ELECTRIC MODELS	
9	10	824832 6	SCREW	2	ELECTRIC MODELS	
10		825679	WIRE	1		
11		825678	SWITCH-OIL PRESSURE	1		2
12		825671	BRACKET	1		
13	10	84058M	SCREW	2		
14		825667	CDI UNIT	1		
15	84	824912A 6	CABLE (MANUAL)	1		
16	10	84058M	SCREW	2		
17	54	816311	STA STRAP	AR		5
18		825674	CLAMP	1		
19	84	827630A 4	HARNESS-ENGINE (ELECTRIC)	1		
20	84	825102A 1	BOOT	2		
21	25	82069M	GROMMET	2		
22	84	95084A21	CABLE-FUSE	1	ELECTRIC MODELS	
23	88	79091	FUSE	1	ELECTRIC MODELS	
24	84	95084A19	CABLE-FUSE	1	ELECTRIC MODELS	
25	10	825502	SCREW	1		
26		825673	COVER	1		
27	10	825501	SCREW	2		
28		825672	PLATE	1		
29		825668	IGNITION COIL ASSEMBLY	1		
30		825656	PILOT LIGHT (MANUAL)	1		
31	87	11083A30	SWITCH	1		
32		15920A54	LANYARD SWITCH	1		
33		12044 1	RETAINER	1		
34	10	40003 26	SCREW	1	ELECTRIC MODELS	
35	12	29245	WASHER	2	ELECTRIC MODELS	
36		826011	BRACKET	1	ELECTRIC MODELS	
37		95643M	BRACKET	1	ELECTRIC MODELS	
38		826009A 1	STARTER RELAY	1	ELECTRIC MODELS	
39	12	827205	WASHER	3	ELECTRIC MODELS	
40	11	827204	NUT	3	ELECTRIC MODELS	
41	84	88429A29	BATTERY CABLE	1	ELECTRIC MODELS	