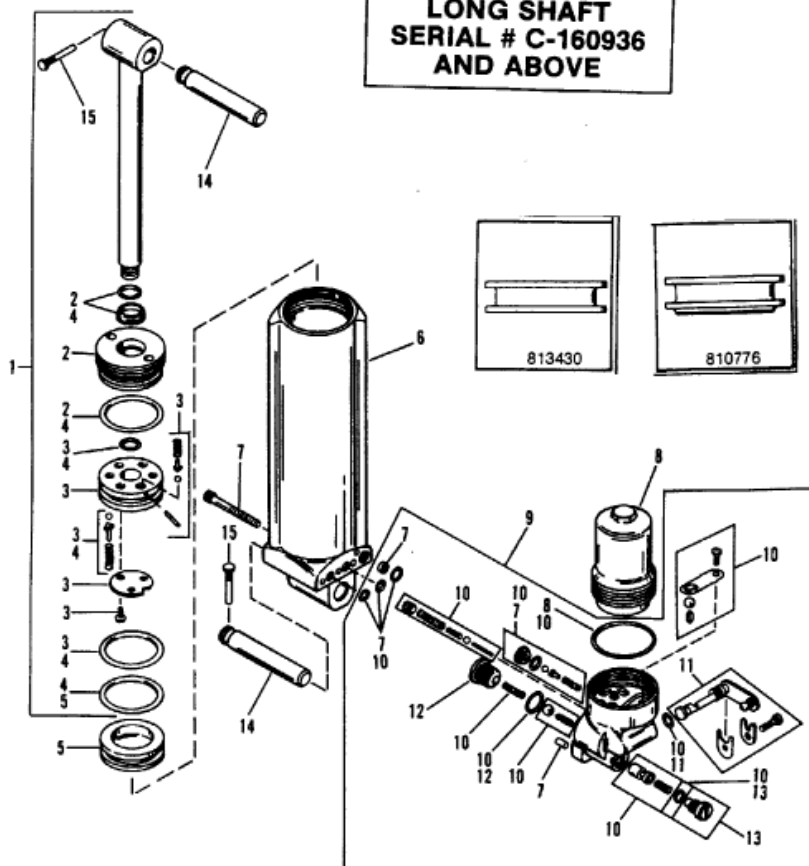


Note: To insure ordering correct Memory Piston, check and compare to drawings shown.

**LONG SHAFT  
 SERIAL # C-160936  
 AND ABOVE**



19268

Parts List						
Ref	Class	Part	Description	Qty	Comment	Footnote
1		813427	SHOCK ROD ASSEMBLY KIT	1		
2		813428	CYLINDER END CAP ASSEMBL	1		
3		813429	SHOCK PISTON ASSEMBLY	1		
4		813432A 1	CYLINDER REBUILD KIT	1		
5		813430	MEMORY PISTON KIT (SEE NOTE	1		
5		810776	MEMORY PISTON KIT (SEE NOTE	1		
6		810777	CYLINDER KIT	1		
7		813433A 1	SCREW AND SEAL KIT, CYLINDE	1		
8		813454A 1	ACCUMULATOR	1		
9		813455	VALVE BLOCK ASSEMBLY	1		
10		813456A 1	REPAIR KIT, VALVE BLOCK	1		
11		813457A 1	C&M ASSEMBLY KIT	1		
12	22	813458	PLUG KIT	1		
13	22	813459	PLUG KIT	1		
14	17	19607	PIN	2		
15	17	19603	PIN, Groove	2		
-		19300A 1	TILT PUMP, COMPLETE	1	INCLUDES ALL PARTS ON THIS	