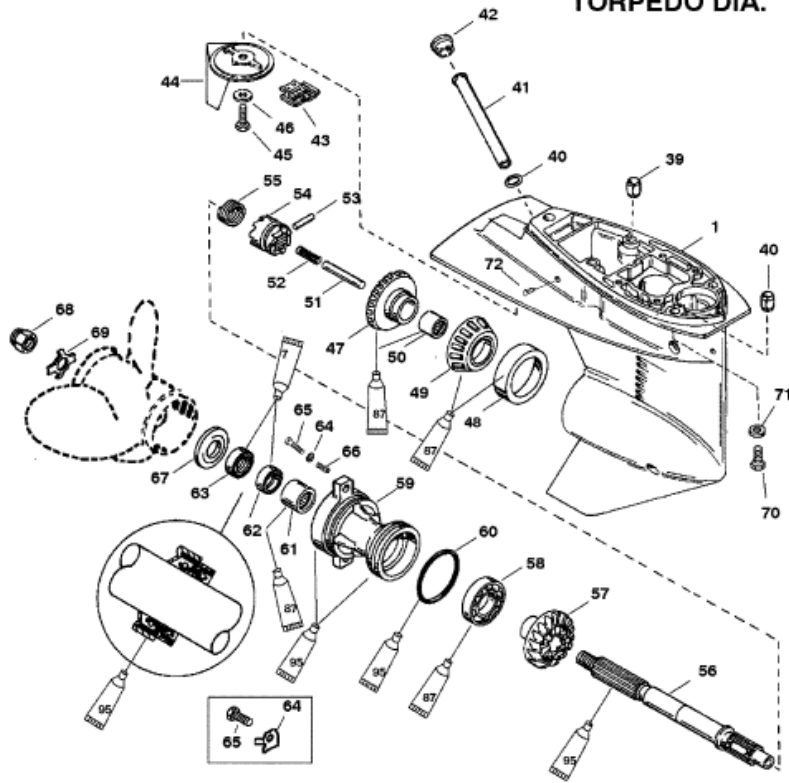


**3.44 IN./135MM
 TORPEDO DIA.**



- 7 Loctite "271" Adhesive Sealant (92-809619)
- 87 Super Duty Gear Lubricant (92-13783A24)
- 95 2-4-C w/Teflon (92-825407A12)

| Parts List | | | | | | |
|------------|-------|-----------|-------------------------|-----|--------------------------------|----------|
| Ref | Class | Part | Description | Qty | Comment | Footnote |
| - | 1682 | 821306A24 | GEAR HOUSING | 1 | (BLACK) S/N-0G442710 & UP 1.83 | |
| - | 1682 | 821306A25 | GEAR HOUSING | 1 | (GRAY) S/N-0G442710 & UP 1.83 | |
| - | 1682 | 821306A17 | GEAR HOUSING | 1 | (BLACK) S/N-0G442709 & BELOW | |
| - | 1682 | 821306A18 | GEAR HOUSING | 1 | (GRAY) S/N-0G442709 & BELOW | |
| 1 | 1682 | 821306A12 | GEAR HOUSING | 1 | (BLACK) | |
| 1 | 1682 | 821306A13 | GEAR HOUSING | 1 | (GRAY) | |
| 39 | 17 | 821327 | DOWEL PIN | 2 | | |
| 40 | 27 | 823942 | GASKET WATER TUBE | 1 | | |
| 41 | 32 | 821828 | TUBE | 1 | | |
| 42 | 19 | 824928 | PLUG-RUBBER | 1 | | |
| 43 | | 821829 | SCREEN-WATER INLET | 1 | | |
| 44 | | 822157C 2 | TRIM TAB | 1 | | |
| 45 | 10 | 824970 20 | SCREW (M8 X 20) | 1 | | |
| 46 | 12 | 72397 | WASHER | 1 | | |
| 47 | 43 | 822162A 2 | FORWARD GEAR (22 TEETH) | 1 | (1.83:1 GEAR RATIO) | |
| 47 | 43 | 821315A 1 | FORWARD GEAR (26 TEETH) | 1 | (2:1 GEAR RATIO) | |
| 48 | 31 | 99328A 1 | ROLLER BEARING ASSY. | 1 | | |
| 49 | | NSS | CUP | 1 | | 7 |
| 50 | 31 | 41326 | ROLLER BEARING | 1 | | |
| 51 | | 821578 | FOLLOWER-CAM | 1 | | |
| 52 | 24 | 826199 1 | SPRING | 1 | | |
| 53 | 17 | 85093 | PIN-CROSS | 1 | | |
| 54 | 52 | 821314 | CLUTCH | 1 | | |
| 55 | 24 | 38114 | SPRING | 1 | | |
| 56 | 44 | 821577 2 | PROPELLER SHAFT | 1 | | 3 |
| 57 | 43 | 822163 | REVERSE GEAR (22 TEETH) | 1 | (1.83:1 GEAR RATIO) | |
| 57 | 43 | 821312 | REVERSE GEAR (26 TEETH) | 1 | (2:1 GEAR RATIO) | |
| 58 | 30 | 20839 | BALL BEARING | 1 | | |
| 59 | | 19291A 3 | BEARING CARRIER | 1 | | |
| 60 | 25 | 815460 | O RING | 1 | | 12 |
| 61 | 31 | 21700 | NEEDLE BEARING | 1 | | |
| 62 | 26 | 69188 | OIL SEAL | 1 | | 12 |
| 63 | 26 | 69189 | OIL SEAL | 1 | | 12 |
| 64 | 14 | 826613 | TAB WASHER | 2 | | |
| 64 | 12 | 855941 | WASHER | 2 | (USE W/THREADED INSERT) | |
| 65 | 10 | 40003 53 | SCREW (M8 X 25) | 2 | (USE W/TAB WASHER) | |
| 65 | 10 | 855940 30 | SCREW | 2 | (USE W/THREADED INSERT) | |
| 66 | | 822773 1 | THREADED INSERT | 2 | | |
| 67 | | 73345A 1 | THRUST HUB | 1 | THESE REPLACEMENT PARTS. | |
| 68 | 11 | 69578A 1 | PROP NUT KIT | 1 | THESE REPLACEMENT PARTS. | |
| 69 | 14 | 72397 | TAB WASHER | 1 | THESE REPLACEMENT PARTS. | |