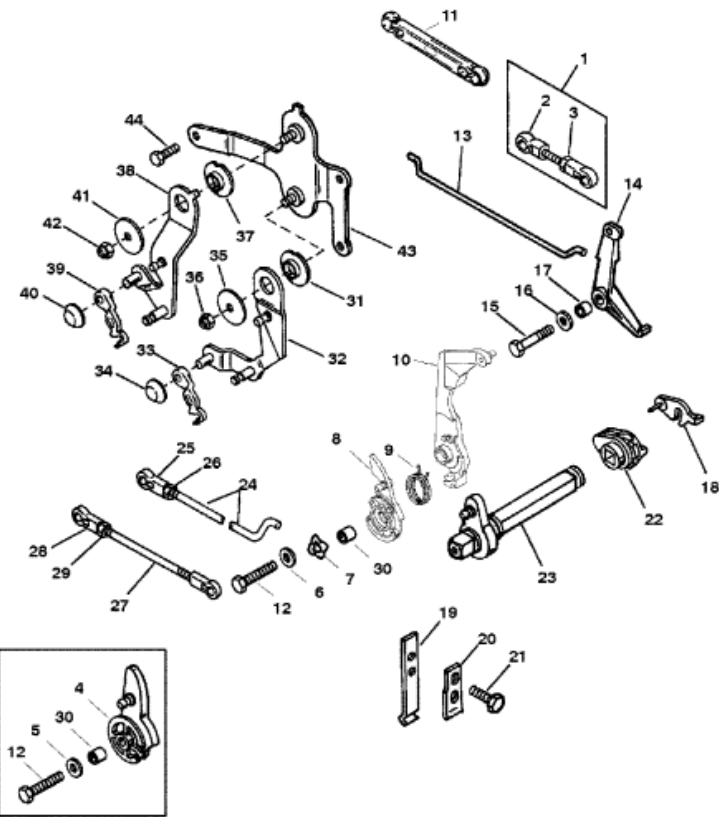


Parts List



21843

| Ref | Class | Part      | Description                         | Qty | Comment                     | Footnote |
|-----|-------|-----------|-------------------------------------|-----|-----------------------------|----------|
| 1   |       | 823857A 1 | LINK-SPARK ADJUSTMENT               | 1   | SN# USA-0G437999/BEL-992699 |          |
| 2   |       | 817428    | SOCKET                              | 2   | SN# USA-0G437999/BEL-992699 |          |
| 3   | 11    | 45076     | NUT, (#10-32)                       | 1   | SN# USA-0G437999/BEL-992699 |          |
| 4   |       | 823757 1  | THROTTLE CAM                        | 1   | SN# USA-0G437999/BEL-992699 |          |
| 5   | 12    | 69056     | WASHER, (.255 x .620 x .03)         | 1   | SN# USA-0G437999/BEL-992699 |          |
| 6   | 12    | 65567     | WASHER, (.265 x .750 x .048)        | 1   | SN# USA-0G438000/BEL-992700 |          |
| 7   | 13    | 99611     | WAVE WASHER                         | 1   | SN# USA-0G438000/BEL-992700 |          |
| 8   |       | 831978 1  | THROTTLE CAM                        | 1   | SN# USA-0G438000/BEL-992700 |          |
| 9   | 24    | 42164     | SPRING                              | 1   | SN# USA-0G438000/BEL-992700 |          |
| 10  |       | 831977    | SPARK ARM                           | 1   | SN# USA-0G438000/BEL-992700 |          |
| 11  |       | 832747    | TIMING LINK                         | 1   | SN# USA-0G438000/BEL-992700 |          |
| 12  | 10    | 40003 30  | SCREW, (M6 x 25)                    | 1   |                             |          |
| 13  |       | 42161     | LINK INTERLOCK                      | 1   |                             |          |
| 14  |       | 823610 3  | LEVER, Interlock Control            | 1   |                             |          |
| 15  | 10    | 40003 30  | SCREW, (M6 x 25)                    | 1   |                             |          |
| 16  | 12    | 69056     | WASHER, (.255 x .620 x .03)         | 1   |                             |          |
| 17  | 23    | 823806    | BUSHING                             | 1   |                             |          |
| 18  |       | 823862    | LEVER, Backplate                    | 1   |                             |          |
| 19  | 24    | 826077    | SPRING, Detent                      | 1   |                             |          |
| 20  |       | 824994    | SPRING, Plate                       | 1   |                             |          |
| 21  | 10    | 40011107  | SCREW, (M5 x 16)                    | 2   |                             |          |
| 22  |       | 823863 2  | LEVER, Horizontal Shift Shaft (POF) | 1   |                             |          |
| 23  |       | 823601 1  | SHIFT SHAFT (HORIZONTAL)            | 1   |                             |          |
| 24  |       | 825211A 2 | SHIFT ROD ASSEMBLY                  | 1   |                             |          |
| 25  |       | 817428    | SOCKET                              | 1   |                             |          |
| 26  | 11    | 45076     | NUT, (#10-32)                       | 1   |                             |          |
| 27  |       | 823893A 2 | THROTTLE LINK ASSEMBLY              | 1   |                             |          |
| 28  |       | 817428    | SOCKET                              | 2   |                             |          |
| 29  | 11    | 45076     | NUT, (#10-32)                       | 1   |                             |          |
| 30  | 23    | 823806    | BUSHING                             | 1   |                             |          |
| 31  | 23    | 825319    | NYLINER                             | 1   |                             |          |
| 32  |       | 825168 1  | SHIFT LEVER                         | 1   |                             |          |
| 33  |       | 822459    | RETAINER                            | 1   |                             |          |
| 34  | 11    | 825677    | PUSH NUT                            | 1   |                             |          |
| 35  | 12    | 35280     | WASHER, (.255 x .620 x .030)        | 1   |                             |          |
| 36  | 11    | 826833 6  | NUT, (M6)                           | 1   |                             |          |
| 37  | 23    | 825319    | NYLINER                             | 1   |                             |          |
| 38  |       | 825169    | THROTTLE LEVER                      | 1   |                             |          |
| 39  |       | 822459    | RETAINER                            | 1   |                             |          |
| 40  | 11    | 825677    | PUSH NUT                            | 1   |                             |          |
| 41  | 12    | 26280     | WASHER, (.255 x .620 x .030)        | 1   |                             |          |