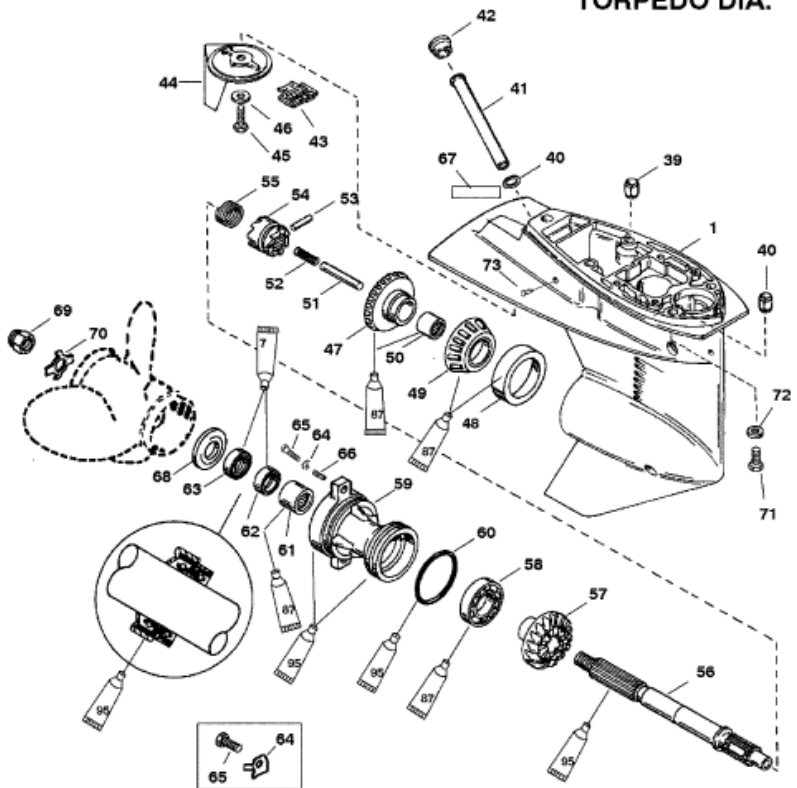


**3.44 IN./135MM  
 TORPEDO DIA.**



- 7** Loctite "271" Adhesive Sealant (92-809619)
- 87** Super Duty Gear Lubricant (92-13783A24)
- 94** Anti-Corrosion Grease (92-78376A6)
- 95** 2-4-C w/Teflon (92-825407A12)

**Parts List**

Ref	Class	Part	Description	Qty	Comment	Footnote
-	1682	821306A30	GEAR HOUSING	1	(BLACK) SHORT	
-	1682	821306A31	GEAR HOUSING	1	(GRAY) SHORT	
-	1682	821306A32	GEAR HOUSING	1	(BLACK) LONG	
-	1682	821306A33	GEAR HOUSING	1	(GRAY) LONG	
1	1682	821306A12	GEAR HOUSING	1	(BLACK) BASIC	
1	1682	821306A13	GEAR HOUSING	1	(GRAY) BASIC	
39	17	821327	DOWEL PIN	2		
40	27	823942	GASKET WATER TUBE	1		
41	32	821828	TUBE	1		
42	19	824928	PLUG-RUBBER	1		
43		821829	SCREEN-WATER INLET	1		
44		822157C 2	TRIM TAB	1		
45	10	824970 20	SCREW (M8 X 20)	1		
46	12	72397	WASHER	1		
47	43	833000A 1	FORWARD GEAR ASSEMBLY (2	1		
48	31	99328A 2	ROLLER BEARING ASSY.	1		
<b>49</b>		NSS	CUP	1		6
50	31	41326	ROLLER BEARING	1		
51		821578	FOLLOWER-CAM	1		
52	24	826199 1	SPRING	1		
53	17	85093	PIN-CROSS	1		
54	52	821314	CLUTCH	1		
55	24	38114	SPRING	1		
56	44	821577 2	PROPELLER SHAFT	1		
57	43	833001	REVERSE GEAR (29 TEETH)	1		
58	30	20839	BALL BEARING	1		
59		19291A 3	BEARING CARRIER	1		
<b>60</b>	25	815460	O RING	1		8
61	31	21700	NEEDLE BEARING	1		
<b>62</b>	26	69188	OIL SEAL	1		8
<b>63</b>	26	69189	OIL SEAL	1		8
64	14	826613	TAB WASHER	2		
64	12	855941	WASHER	2	(USE W/THREADED INSERT)	
65	10	40003 53	SCREW (M8 X 25)	2	(USE W/TAB WASHER)	
65	10	855940 30	SCREW	2	(USE W/THREADED INSERT))	
66		822773 1	THREADED INSERT	2		
<b>67</b>		NSS	DECAL (2.42:1)(12 X 29)	1		6
68		73345A 1	THRUST HUB	1	THESE REPLACEMENT PARTS.	
69	11	69578A 1	PROP NUT KIT	1	THESE REPLACEMENT PARTS.	
70	14	<a href="#">76281</a>	TAB WASHER	1	THESE REPLACEMENT PARTS.	
71	10	40002 80	SCREW	4	THESE REPLACEMENT PARTS.	