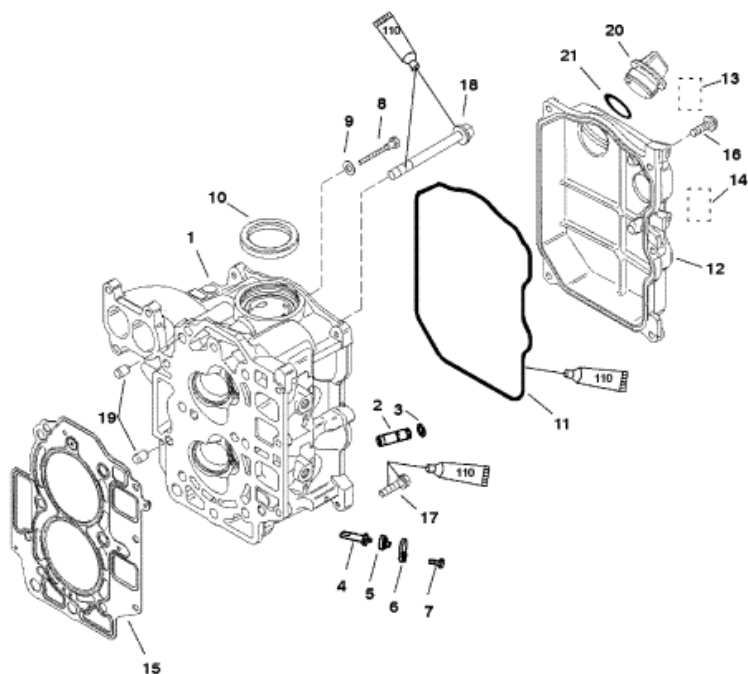


110 4-stroke Outboard Oil (92-828000A12)



CYLINDER HEAD

Parts List						
Ref	Class	Part	Description	Qty	Comment	Footnote
-		830271A 3	CYLINDER HEAD	1	(ELECTRIC)	
-		830271A 4	CYLINDER HEAD	1	(MANUAL)	
1		830271 1	CYLINDER HEAD	1		3
2		825037	GUIDE	4		3
3	53	825038	CIRCLIP	4		3
4		826887M	ANODE	2		3
5	25	825040	GROMMET	2		3
6		826888M	COVER	2		3
7	10	40011128	SCREW (M6 X 20)	2		3
8	10	827607	BOLT	1		3
9	27	827610	GASKET	1		3
10	26	825048	OIL SEAL	1		3,5
11	25	833103	O RING	1		3,5
12		830272A 1	COVER	1		3
13		NSS	DECAL-SERVICING REFERRA	1		6,3
14		NSS	DECAL-ENGINE OIL/VALVE C	1		6,3
15	27	830270	GASKET	1		3,5,2
16	10	40011128	SCREW (M6 X 20)	5		3
17	10	825009 25	SCREW (M6 X 25)	3		3
18	10	825033 95	SCREW (M9 X 1.5 X 95)	6		3
19	17	825010	DOWEL PIN	2		
20		825490	PLUG	1		
21	25	825492	O RING	1		5
-	61	854236A98	POWERHEAD	1		
-	27	830270A98	GASKET SET	1		