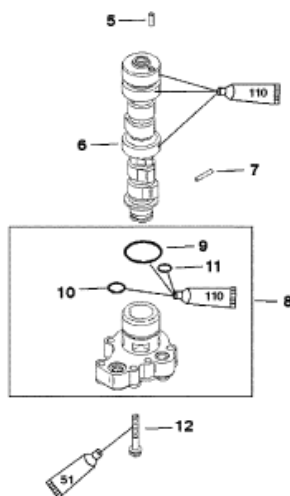
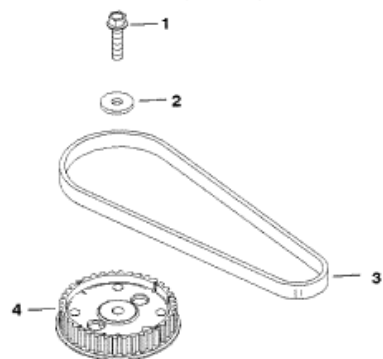


- 110 4-stroke Outboard Oil (92-828000A12)
- 51 Loctite "222" Small Screw Threadlocker (92-809818)



## Parts List

Ref	Class	Part	Description	Qty	Comment	Footnote
1	10	827611 40	SCREW (M8 X 40 X 1.25)	1		6
2	12	40023 19	WASHER	1		6
3		831294	BELT	1		
4		833104	GEAR-DRIVEN	1		6
5	17	825956	DOWEL PIN	1		6
6	2419	830275T 1	CAMSHAFT	1	(ELECTRIC)	6
6	406	853894A 2	CAMSHAFT	1	(MANUAL)	6
7	17	826149	PIN	1		6
8		852388T 1	OIL PUMP ASSEMBLY	1		6
9	25	826152	O RING	1		6,2
10	25	826154	O RING	1		6,2
11	25	826153	O RING	1		6,2
12	10	825009 35	SCREW (M6 X 35)	4		6
-	27	830270A98	GASKET SET	1		
-		830271T 3	CYLINDER HEAD	1	(ELECTRIC)	
-		830271T 4	CYLINDER HEAD	1	(MANUAL)	