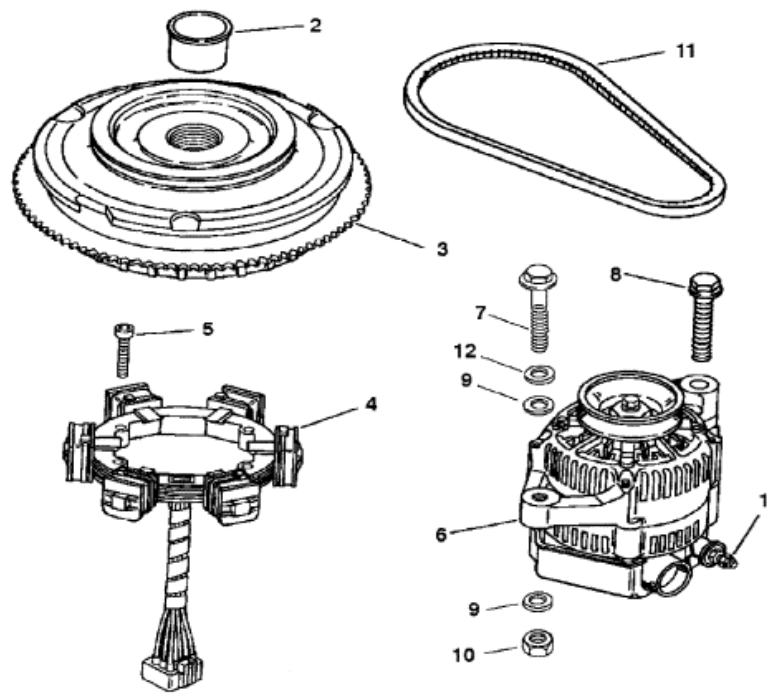


**Note:** Coat all ring terminal wiring connections with Liquid Neoprene.



19110

Parts List

| Ref | Class | Part    | Description          | Qty | Comment | Footnote |
|-----|-------|---------|----------------------|-----|---------|----------|
| 1   | 11    | 826833  | 6 NUT, (M6)          | 1   |         |          |
| 2   | 19    | 45907   | PLUG, Yellow         | 1   |         |          |
| 3   | 272   | 821033T | 2 FLYWHEEL           | 1   |         |          |
| 4   | 398   | 821935A | 5 STATOR             | 1   |         |          |
| 5   | 10    | 824948  | 30 SCREW, (M6 x 30)  | 4   |         |          |
| 6   |       | 821663A | 1 ALTERNATOR         | 1   |         |          |
| 7   | 10    | 824461  | 55 SCREW, (M10 x 55) | 1   |         |          |
| 8   | 10    | 821301  | 40 SCREW (M10 X 40)  | 1   |         |          |
| 9   | 12    | 79643   | 1 WASHER             | 2   |         |          |
| 10  | 11    | 40136   | 10 NUT, (M10)        | 1   |         |          |
| 11  | 57    | 49756   | 1 V BELT             | 1   |         |          |
| 12  | 12    | 17457   | 1 WASHER             | 1   |         |          |