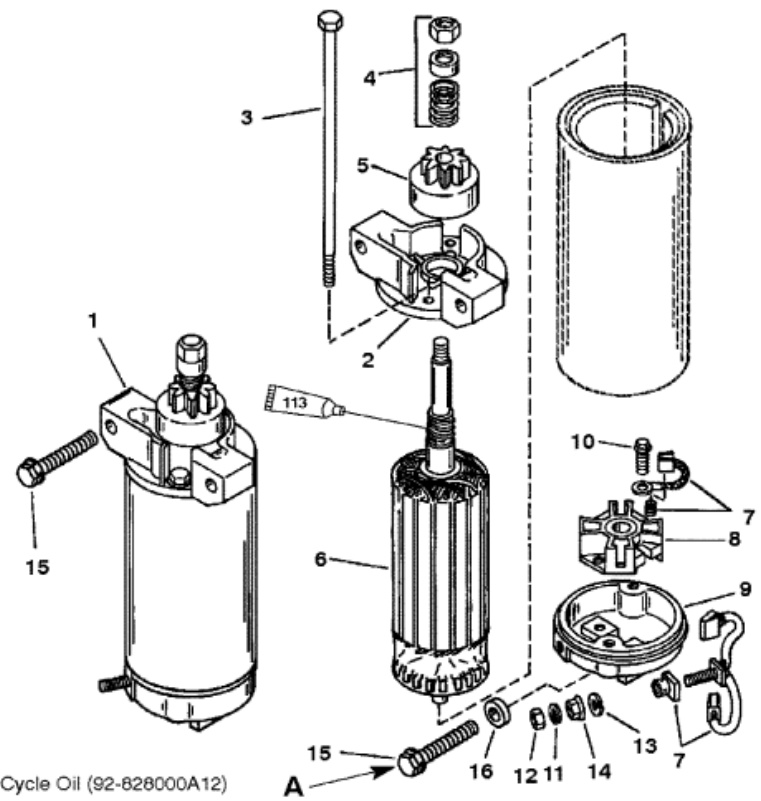


Parts List

Ref	Class	Part	Description	Qty	Comment	Footnote
1	50	818445	STARTER MOTOR	1		
2		823639	DRIVE CAP	1		
3	10	823641	THRU BOLT	2		
4		823640	DRIVE KIT	1		
5		13310	PINION	1		
6		823638	ARMATURE	1		
7		75384	BRUSH/SPRING KIT	1		
8		61787	BRUSH HOLDER	1		
9		811901	COMMUTATOR CAP	1		
10		F15158	SCREW	2		
11	13	26992	LOCKWASHER	2		
12	11	94330	NUT (1/4-20)	2		
13	13	26992	LOCKWASHER	1		
14	11	20890	NUT (1/4-20)	1		
15	10	818934	SCREW (M8 X 40)	3		
16	23	824921	SPACER	1		



4 Cycle Oil (92-828000A12)

A - Torque bottom starter bolt to 21 lb. ft. (28.5 N·m)