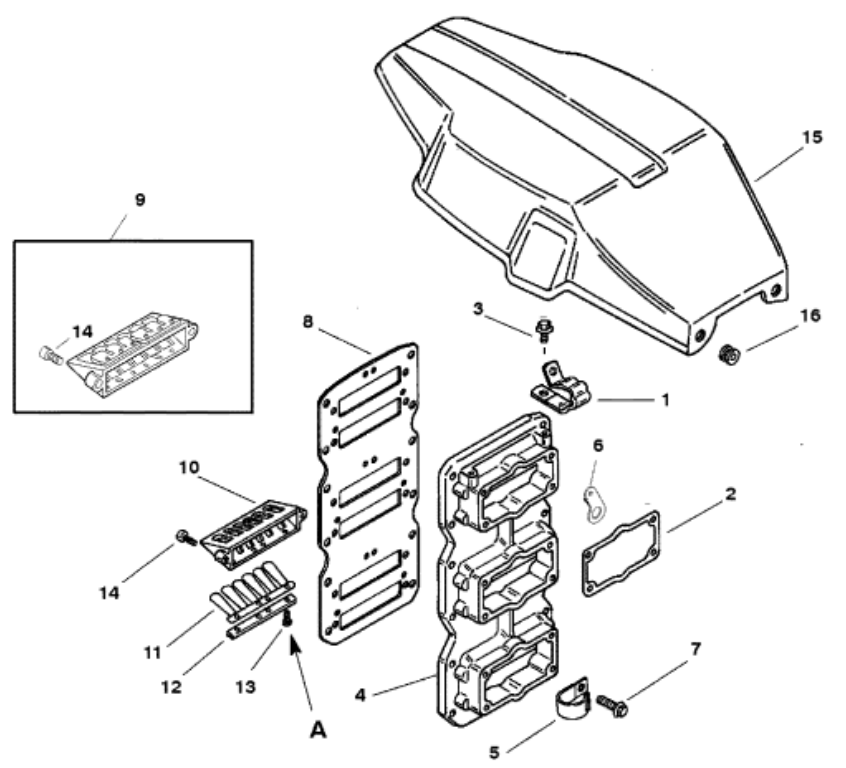


Parts List					
Ref	Class	Part	Description	Qty	Footnote
1	54	49542	CLAMP	2	
2	27	825815	GASKET	3	2
3	10	821300	SCREW (M6 X 12)	2	
4		825178	ADAPTOR PLATE ( )	1	S/N-0G438000 & UP
4		825178	ADAPTOR PLATE ( )	1	S/N-0G437999 & BELOW
5	54	67015	CLIP ( )	2	S/N-0G303045 & BELOW
6		827507	RETAINER ( )	1	S/N-0G303046 & UP
7	10	821300	SCREW (M6 X 25)	12	
8	27	814195	GASKET	1	3,2
9		828623	REED BLOCK ( )	6	S/N-0G438000 & UP 1 PIECE
10		816032	REED BLOCK (NOT TAPPED)	6	S/N-0G338133 & BELOW SELF-T
11	34	816107A	REED SET	6	S/N-0G338133 & BELOW SELF-T
12		816108	REED CLAMP	12	S/N-0G338133 & BELOW SELF-T
13	10	821110	SCREW (M4 X .7)	48	S/N-0G338133 & BELOW SELF-T
10		816032A	REED BLOCK	6	S/N-0G338134 THRU 0G437999
11	34	816107A	REED SET	6	S/N-0G338134 THRU 0G437999
12		816108	REED CLAMP	12	S/N-0G338134 THRU 0G437999
13	10	821110	SCREW (M4 X .7)	72	S/N-0G338134 THRU 0G437999
14	10	40074	SCREW (M6 X 1 X 20)	12	
15		825832	FLYWHEEL COVER	1	
16	25	821555	GROMMET	4	
-	27	814195A93	GASKET SET	1	
-		809794A97	POWERHEAD	1	



A - Torque reed attaching screws to 25 lb. in. (3.0 N-m).