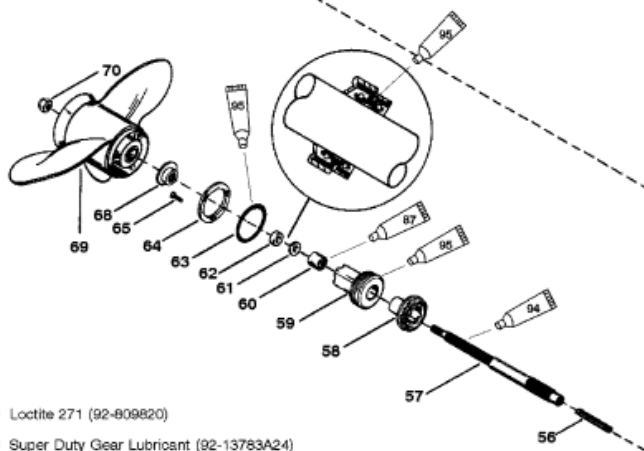
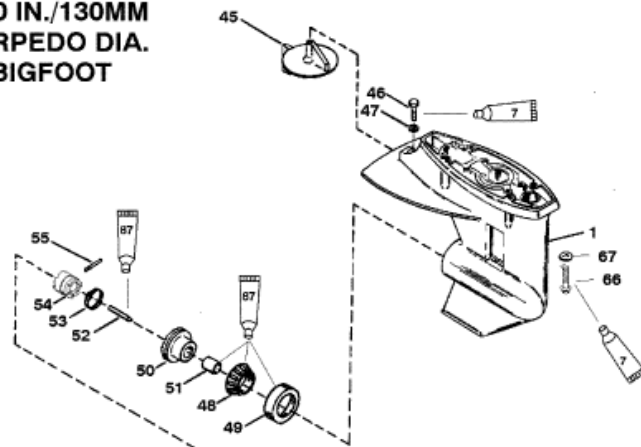


**3.30 IN./130MM
 TORPEDO DIA.
 BIGFOOT**



-  Loctite 271 (92-009820)
-  Super Duty Gear Lubricant (92-13783A24)
-  Anti-Corrosion Grease (92-78376A6)
-  2-4-C With Teflon (92-825407A12)

Parts List						
Ref	Class	Part	Description	Qty	Comment	Footnote
-	1665	8669A33	GEAR HOUSING ASSEMBLY	1	(BLACK)	
-	1665	8669A34	GEAR HOUSING ASSEMBLY	1	(GRAY)	
1	1665	8669A21	GEAR HOUSING	1	(BASIC - BLACK)	
1	1665	8669A22	GEAR HOUSING	1	(BASIC - GRAY)	
45		98432 5	TRIM TAB	1		
46	10	40003 54	BOLT (M8X30)	1		
47	12	70132	WASHER	1		
48	31	99328A 1	TAPERED ROLLER BEARING	1		
49		NSS	CUP	1		
50	43	854496A 1	FORWARD GEAR (12-29)	1		
51	23	85557	BUSHING	1		
52		85094	CAM FOLLOWER	1		
53	24	38114	SPRING	1		
54	52	41040 1	CLUTCH	1		
55	17	85093	CROSS PIN	1		
56	24	88680	SPRING	1		
57	44	816623 1	PROPELLER SHAFT	1		
58	43	854497	REVERSE GEAR (12-29)	1		
59		99906A 1	BEARING CARRIER ASSEMBLY	1		
60	31	21739	ROLLER BEARING	1		
61	26	41132	OIL SEAL (INNER)	1		
62	26	41131	OIL SEAL (OUTER)	1		
63	25	85549	O-RING	1		
64		87293	PLATE	1		
65	10	90883	BOLT (M5X16)	3		
66	10	40003 78	BOLT (M10 X 35)	4		
67	12	43328	WASHER	4		
68		85128 1	THRUST HUB ASSEMBLY	1		
69	48	19636A10	PROPELLER	1		
70	11	88228	PROP NUT	1		
-	26	85090A 2	G/H SEAL KIT	1		