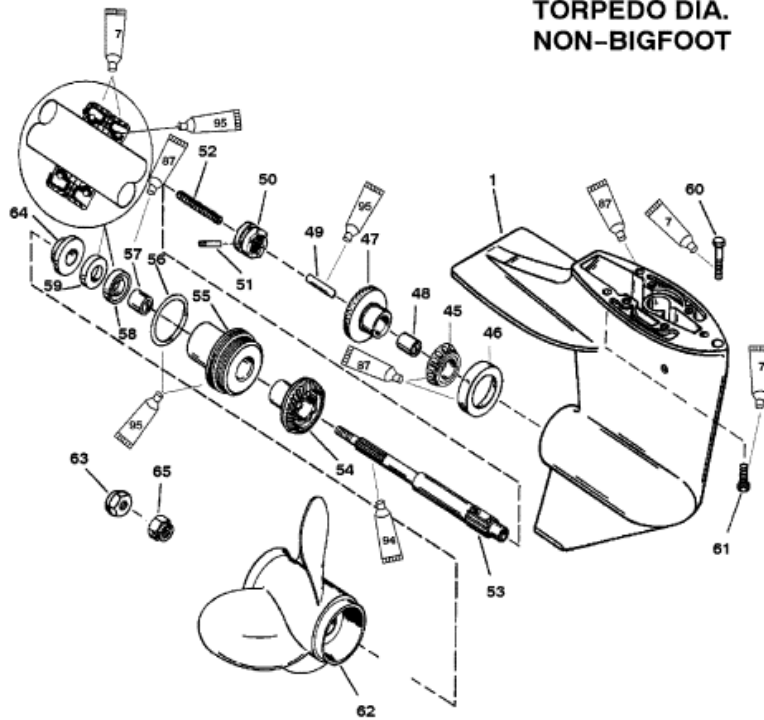


**2.60 IN./102MM
 TORPEDO DIA.
 NON-BIGFOOT**



-  Loctite 271 (92-809820)
-  Super Duty Gear Lubricant (92-13783A24)
-  Anti-Corrosion Grease (92-78376A6)
-  2-4-C With Teflon (92-825407A12)

Parts List						
Ref	Class	Part	Description	Qty	Comment	Footnote
-	1666	8833A33	GEAR HOUSING	1	(SHORT - BLACK)	
-	1666	8833A34	GEAR HOUSING	1	(SHORT - GRAY)	
-	1666	8833A35	GEAR HOUSING	1	(LONG - BLACK)	
-	1666	8833A36	GEAR HOUSING	1	(LONG - GRAY)	
1	1666	8833A17	GEAR HOUSING	1	(BASIC - BLACK)	
1	1666	8833A18	GEAR HOUSING	1	(BASIC - GRAY)	
45	31	821321A	ROLLER BEARING	1		
46		NSS	CUP	1		
47	43	821924A	FORWARD GEAR (13-26)	1		
48	23	41367	BUSHING	1		
49		813139	CAM FOLLOWER	1		
50	52	821930A	CLUTCH ASSEMBLY	1		
51	17	823951	CROSS PIN	1		
52	24	42204	SPRING	1		
53	44	821929	PROPELLER SHAFT	1		
54	43	821926	REVERSE GEAR (13-26)	1		
55		42144A	BEARING CARRIER	1		
56	25	33145	O-RING	1		
57	23	821927	BUSHING	1		
58	26	99325	OIL SEAL	1		
59	26	821928	OIL SEAL	1		
60	10	824071	BOLT (M8 X 50)	1		
61	10	824071	BOLT (M8 X 30)	2		
62	48	828156A	PROPELLER	1		
63	11	13914	PROPELLER NUT	1		
64		821932	THRUST HUB	1		
65	23	42091	SPACER	1		
-	26	41365A	G/H SEAL KIT	1		