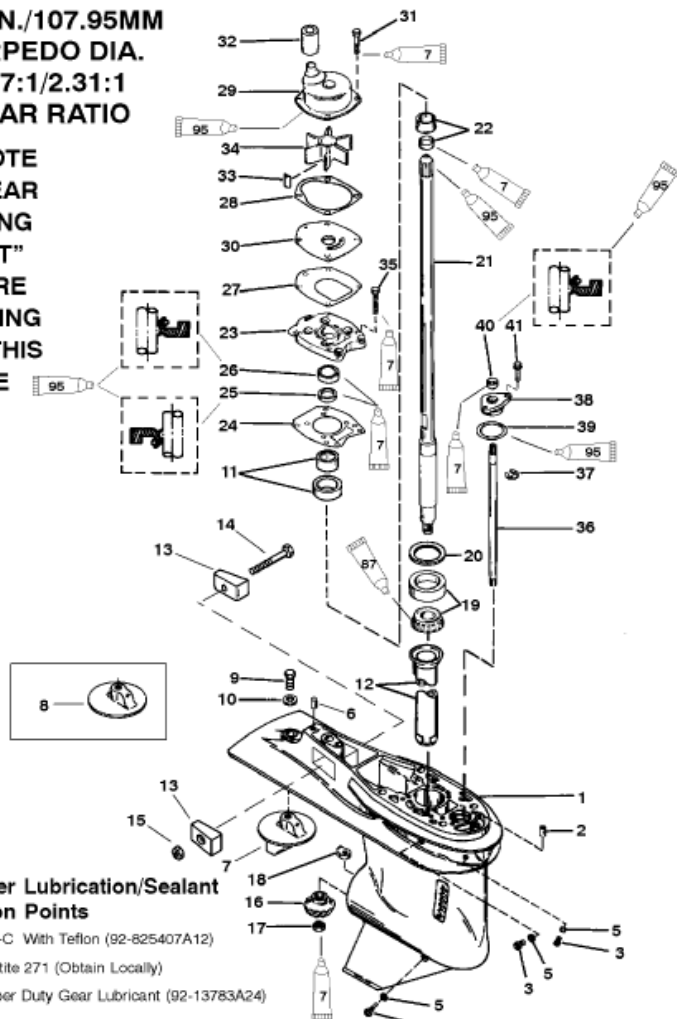


**4.25 IN./107.95MM  
 TORPEDO DIA.  
 2.07:1/2.31:1  
 GEAR RATIO**

**SEE NOTE  
 ON "GEAR  
 HOUSING  
 CHART"  
 BEFORE  
 ORDERING  
 FROM THIS  
 PAGE**



**Quicksilver Lubrication/Sealant  
 Application Points**

- 2-4-C With Teflon (92-825407A12)
- Loctite 271 (Obtain Locally)
- Super Duty Gear Lubricant (92-13783A24)

Parts List						
Ref	Class	Part	Description	Qty	Comment	Footnote
1	1667	9011A73	GEAR HOUSING	1	(BLACK)	
1	1667	9011A74	GEAR HOUSING	1	(GRAY)	
1	1667	9011A80	GEAR HOUSING	1	(TRACKER-GRAPHITE GRAY)	
2	17	43043	DOWEL PIN (FRONT) (QTY. OF	1		
3	10	79953A 2	DRAIN SCREW	2		
4	22	67892A 1	SCREW (MAGNETIC)	1		
5	12	19183	WASHER-SEALING	3		1,7,8
6	17	43044	DOWEL PIN (REAR)	1		
7		31640 4	TRIM TAB	1	(USE W/GH W/O ANODES)	
8		31640 5	TRIM TAB	1	(USE W/GH WITH ANODES)	
9	10	825427	SCREW	1		
10	12	45176	WASHER	1		
11		43040A 1	CARRIER	1		
12		43046	OILER TUBE	1		
13		826134	ANODE	2	DESIGN II	
14	10	40003 33	SCREW	1	DESIGN II	
15	11	826833 6	NUT	1	DESIGN II	
16	43	19672A 1	PINION GEAR	1	(2.07:1 GEAR RATIO - 14 TEETH	
16	43	44484	PINION GEAR	1	(HIGH ALTITUDE) (2.31:1 GEAR	
17	11	35921	NUT	1		
18		76039	SHIFT CAM	1		
19	31	42677A 1	TAPERED ROLLER BEARING	1		
20	15	44492A 1	SHIM ASSEMBLY	1		
21	45	43031A 1	DRIVE SHAFT ASSEMBLY	1	(LONG)	
21	45	43032A 4	DRIVE SHAFT ASSEMBLY	1	(X-LONG)	
22		42461A 1	WEAR SLEEVE ASSEMBLY	1		
23		43055A 4	COVER ASSEMBLY	1		7
24	27	43047 2	GASKET	1		1,7,8
25	26	43036	OIL SEAL (LOWER)	1		7,8
26	26	43035	OIL SEAL (UPPER)	1		7,8
27	27	43033 1	GASKET	1		1,7,8
28	27	817277	GASKET	1		1,7,8
29		817275A 2	WATER PUMP ASSEMBLY	1		7
30		817276	FACE PLATE	1		7
31	10	824832 7	SCREW	4		7
32		43023 2	SEAL	1		7,8
33	28	43037	KEY	1		7
34	47	43026 2	IMPELLER	1		7
35	10	824832 6	SCREW	6		
36		43048A 1	SHIFT SHAFT ASSEMBLY	1	(LONG)	
36		43049A 1	SHIFT SHAFT ASSEMBLY	1	(X-LONG)	