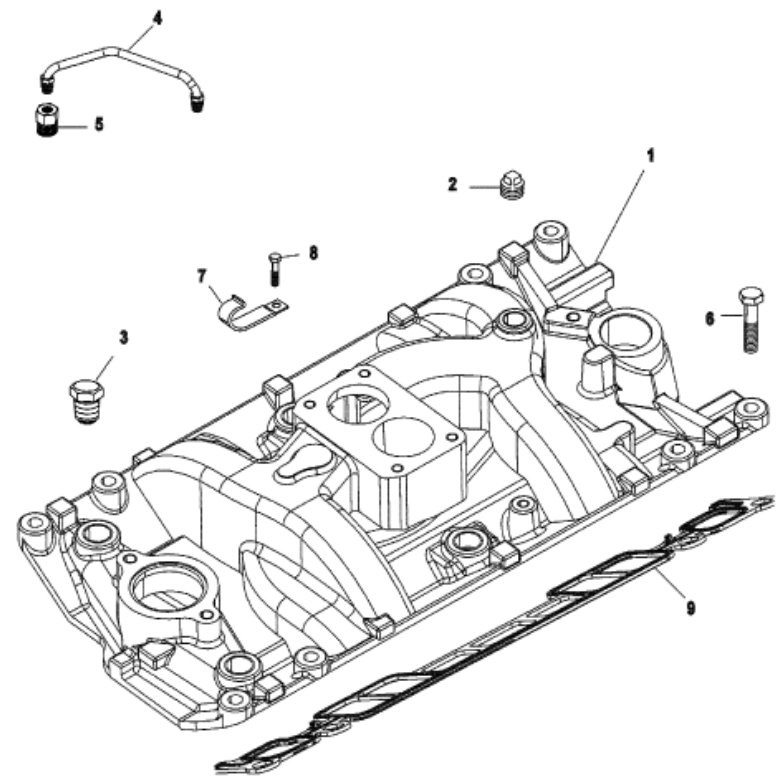


Parts List



Ref	Class	Part	Description	Qty	Comment	Footnote
1		860100A 1	INTAKE MANIFOLD	1		
2	22	37372	PLUG, Pipe (.500)	3		
3	22	48358	PLUG, (.375)	1		
4	32	865016	TUBE, Exhaust	1	SN# 0M393803 & Below	1
4	32	865100	TUBE, Exhaust	1	SN# 0M393804 & Up	
5	22	805563	CONNECTOR, (.500 Inch NPTF Tc	2		
6	10	808010	SCREW, (.3125 X 1.375)	8		
7	54	73668	J-CLIP	2		
8	10	86750	SCREW, (.312-18 X .62)	2		
9	27	807473A 1	GASKET SET, Intake Manifold	1		2
-	27	861246A98	GASKET SET, Engine Overhaul	1		