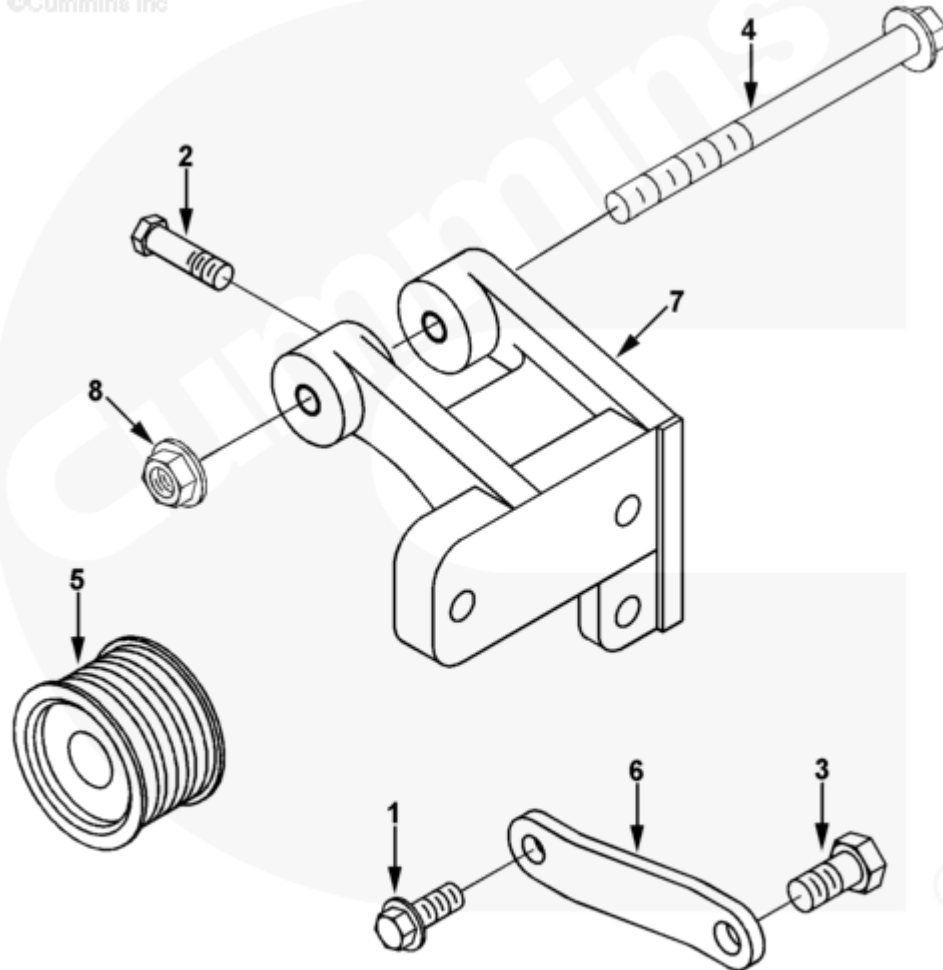




# Parts Catalog - Option Detail

Electronic Parts Catalog - Option Detail				
Option	Group	Graphic	Film Card	Date
EH9434-01	13.02.3	eh941gp	Z	19-MAR-03
<b>Engines</b>	6C8.3, C GAS PLUS CM556, G8.3, G8.3 CM558, GTA8.3 CM558, ISC CM2150, ISC CM554, ISC CM850, ISC8.3 CM2250, ISC8.3 G CM2180 C101, ISL CM2150, ISL CM554, ISL CM850, ISL G CM2180, ISL8.9 CM2150 L110, ISL8.9 CM2880 L112, ISL9 CM2150 SN, ISL9 CM2250, ISL9 CM2350 L101, ISL9 CM2350 L111, ISLE4 CM850, L GAS PLUS CM556, L8.9, L8.9 L121, L8.9G CMOH2.0 L125B, L9 CM2350 L116B, L9 CM2350 L119B, L9 CM2350 L120C, L9 CM2350 L123B, L9.3 L105, L9.5 L117, L9N CM2380 L124B, QSC8.3 CM2250, QSC8.3 CM2880 C102, QSC8.3 CM554, QSC8.3 CM850(CM2850), QSL9 CM2250, QSL9 CM2250 L115, QSL9 CM2350 L102, QSL9 CM2350 L107, QSL9 CM2350 L118, QSL9 CM2350 L122, QSL9 CM554, QSL9 CM850(CM2850), QSL9 G CM558, QSL9 M CM2250 L106, QSL9.3 CM2880 L113			

©Cummins Inc



**eh941gp**

[SMALL](#) | [MEDIUM](#) | [LARGE](#)

Cart	Ref No	Part Number	Part Description	Required	Remarks
------	--------	-------------	------------------	----------	---------

View My Cart

		<a href="#">EH9434-01</a>	Alternator Mounting		<a href="#">MR - ALTERNATOR MOUNTING...(More)</a>
					To Suit Alternator
					Manufacturer/Model: Delco
					21/22/23 SI
					Alternator Support Type:
					98.5mm Spool
					Alternator Centerline from
					Engine Centerline (mm):
					-294.2
					Alternator Centerline from
					Crank Centerline (mm):
					287.84
					Alternator Pulley Diameter
					Over 2.5mm Balls (mm): 67.45
					Alternator Pulley Groove
					Type: Poly V8 Rib K
					Alternator Drive Ratio:
					2.9:1
					Alternator Pulley Location:
					Front Face of Block to
					Centerline of First Groove
					(mm): 57.1
					Crank Pulley Diameter Over
					2.5mm Balls (mm): 199.42
					Tensioner Pivot from
					Centerline of Engine (mm):
					-235.7
					Tensioner Pivot from

					Centerline of Crank (mm):
					133.97
					Tensioner Pulley Centerline
					from Engine Centerline (mm):
					-175.2
					Tensioner Pulley Centerline
					from Crank Centerline (mm):
					67.34
					Tensioner Pulley Diameter
					Over 2.5mm Balls (mm): 73.95
					Tensioner Pulley Type:
					Grooved
<input type="checkbox"/>	1	<a href="#">3052061</a>	Hexagon Head Cap Screw	1	1/2 - 13 x 1 in.
<input type="checkbox"/>	2	<a href="#">3903112</a>	Hexagon Flange Head Cap Screw	3	M10 X 1.50 X 30.
<input type="checkbox"/>	3	<a href="#">3902460</a>	Hexagon Flange Head Cap Screw	1	M10 X 1.50 X 25.
<input type="checkbox"/>	4	<a href="#">3903105</a>	Hexagon Flange Head Cap Screw	1	M12 X 1.75 X 150.
<input type="checkbox"/>	5	<a href="#">3926858</a>	Alternator Pulley	1	
<input type="checkbox"/>	6	<a href="#">3944312</a>	Alternator Brace	1	
<input type="checkbox"/>	7	<a href="#">3968112</a>	Alternator Support	1	
<input type="checkbox"/>	8	<a href="#">3903210</a>	Hexagon Flange Nut	1	M12 X 1.75.