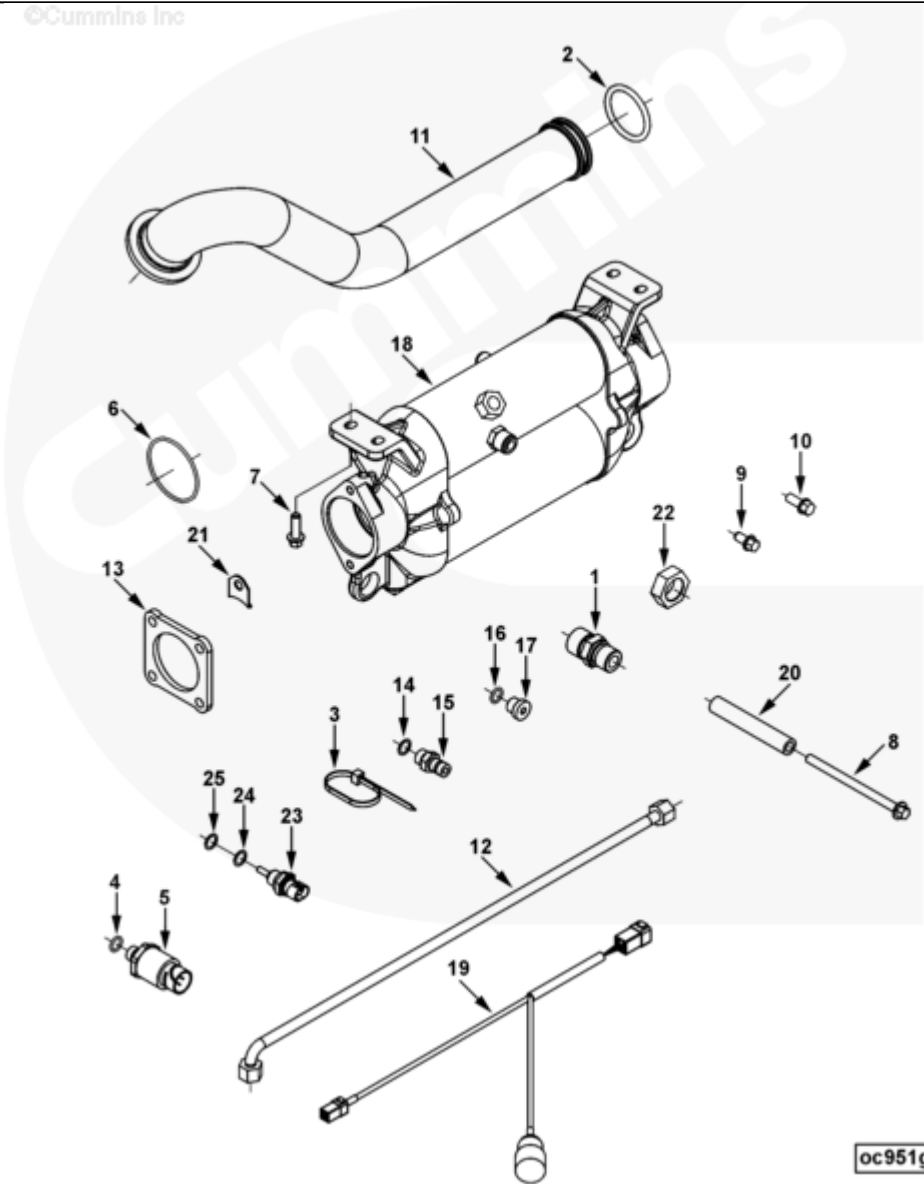




Parts Catalog - Option Detail

| Electronic Parts Catalog - Option Detail | | | | |
|--|--|---------|-----------|-----------|
| Option | Group | Graphic | Film Card | Date |
| OC9069-02 | 16.05.4 | oc951gn | Z | 01-SEP-04 |
| Engines | 6C8.3, C GAS PLUS CM556, G8.3, G8.3 CM558, GTA8.3 CM558, ISC CM2150, ISC CM554, ISC CM850, ISC8.3 CM2250, ISC8.3 G CM2180 C101, ISL CM2150, ISL CM554, ISL CM850, ISL G CM2180, ISL8.9 CM2150 L110, ISL8.9 CM2880 L112, ISL9 CM2150 SN, ISL9 CM2250, ISL9 CM2350 L101, ISL9 CM2350 L111, ISLE4 CM850, L GAS PLUS CM556, L8.9, L8.9 L121, L8.9G CMOH2.0 L125B, L9 CM2350 L116B, L9 CM2350 L119B, L9 CM2350 L120C, L9 CM2350 L123B, L9.3 L105, L9.5 L117, L9N CM2380 L124B, QSC8.3 CM2250, QSC8.3 CM2880 C102, QSC8.3 CM554, QSC8.3 CM850(CM2850), QSL9 CM2250, QSL9 CM2250 L115, QSL9 CM2350 L102, QSL9 CM2350 L107, QSL9 CM2350 L118, QSL9 CM2350 L122, QSL9 CM554, QSL9 CM850(CM2850), QSL9 G CM558, QSL9 M CM2250 L106, QSL9.3 CM2880 L113 | | | |



oc951gn

SMALL | MEDIUM | LARGE

| Cart | Ref No | Part Number | Part Description | Required | Remarks |
|------------------------------|--------|---------------------------|-------------------------------|----------|--|
| View My Cart | | | | | |
| | | OC9069-02 | Marine Gear Oil Cooler | | MR - MARINE GEAR OIL COOLER... (More) |
| | | | | | For Use With Sea Water Cooled |
| | | | | | Engines |
| | | | | | Sea Water Inlet/Outlet |
| | | | | | (mm): 50.8 (2 in.) |
| | | | | | Sea Water Flow: 75 GPM |
| | | | | | Heat Rejection Capability: |
| | | | | | 11.0 KW |
| | | | | | Unique Characteristics: |
| | | | | | For Use With SAE #2 Flywheel |
| | | | | | Housing |
| | | | | | Contains A Combination |
| | | | | | Marine Gear Oil and Fuel Oil |
| | | | | | Cooler |
| | | | | | Includes Pressure and |
| | | | | | Temperature Sensor for Marine |
| | | | | | Gear Oil Monitoring |
| | | | | | |
| <input type="checkbox"/> | 1 | 43764 | Male Connector | 2 | |
| <input type="checkbox"/> | 2 | 3028291 | O-Ring Seal | 1 | |
| <input type="checkbox"/> | 3 | 3062329 | Wire Tie Clamp | 2 | |
| <input type="checkbox"/> | | 3408570 | Pressure Sensor | 1 | Marine Exhaust Gas Temp. |
| <input type="checkbox"/> | 4 | 3330202 | O-Ring Seal | 1 | |
| | 5 | 3408571 | Pressure Sensor | 1 | |
| <input type="checkbox"/> | 6 | 3866633 | O-Ring Seal | 1 | |
| <input type="checkbox"/> | 7 | 3900631 | Hexagon Flange Head Cap Screw | 4 | M8 X 1.25 X 25. |
| <input type="checkbox"/> | 8 | 3903118 | Hexagon Flange Head Cap Screw | 1 | M8 x 1.25 x 120 |

| | | | | | |
|--------------------------|----|-------------------------|-------------------------------|---|-------------------------|
| <input type="checkbox"/> | 9 | 3924962 | Hexagon Flange Head Cap Screw | 2 | M8 x 1.25 x 16 |
| <input type="checkbox"/> | 10 | 3926846 | Hexagon Flange Head Cap Screw | 4 | M8 X 1.25 X 20. |
| <input type="checkbox"/> | 11 | 3968008 | Sea Water Pump Tube | 1 | |
| <input type="checkbox"/> | 12 | 3968014 | Flexible Hose | 1 | |
| <input type="checkbox"/> | 13 | 3968146 | Connection Flange | 1 | |
| <input type="checkbox"/> | | 3973620 | Oil Cooler | 1 | |
| <input type="checkbox"/> | | 3042619 | Coupling Nipple | 1 | |
| <input type="checkbox"/> | 14 | 3037537 | O-Ring Seal | 1 | |
| | 15 | 3042620 | Coupling Nipple | 1 | |
| <input type="checkbox"/> | | 3678921 | Threaded Plug | 2 | M14 X 1.5 X 16 |
| <input type="checkbox"/> | 16 | 3678912 | O-Ring Seal | 1 | M14 |
| | 17 | 3678922 | Threaded Plug | 1 | M14 X 1.5 X 16 |
| <input type="checkbox"/> | 18 | 3973621 | Oil Cooler | 1 | |
| <input type="checkbox"/> | | 3957921 | Zinc Electrode Plug | 2 | Not Shown In This Art |
| <input type="checkbox"/> | 19 | 3974592 | Wiring Harness | 1 | |
| <input type="checkbox"/> | 20 | 3976969 | Mounting Spacer | 1 | |
| <input type="checkbox"/> | 21 | 4003347 | Tube Clamp | 2 | |
| <input type="checkbox"/> | 22 | 4062629 | Regular Hexagon Nut | 1 | |
| <input type="checkbox"/> | | 4088750 | Temperature Sensor | 1 | Coolant Or Oil Or Fuel. |
| | 23 | 4088751 | Temperature Sensor | 1 | |
| | 24 | 4921574 | O-Ring Seal | 1 | |