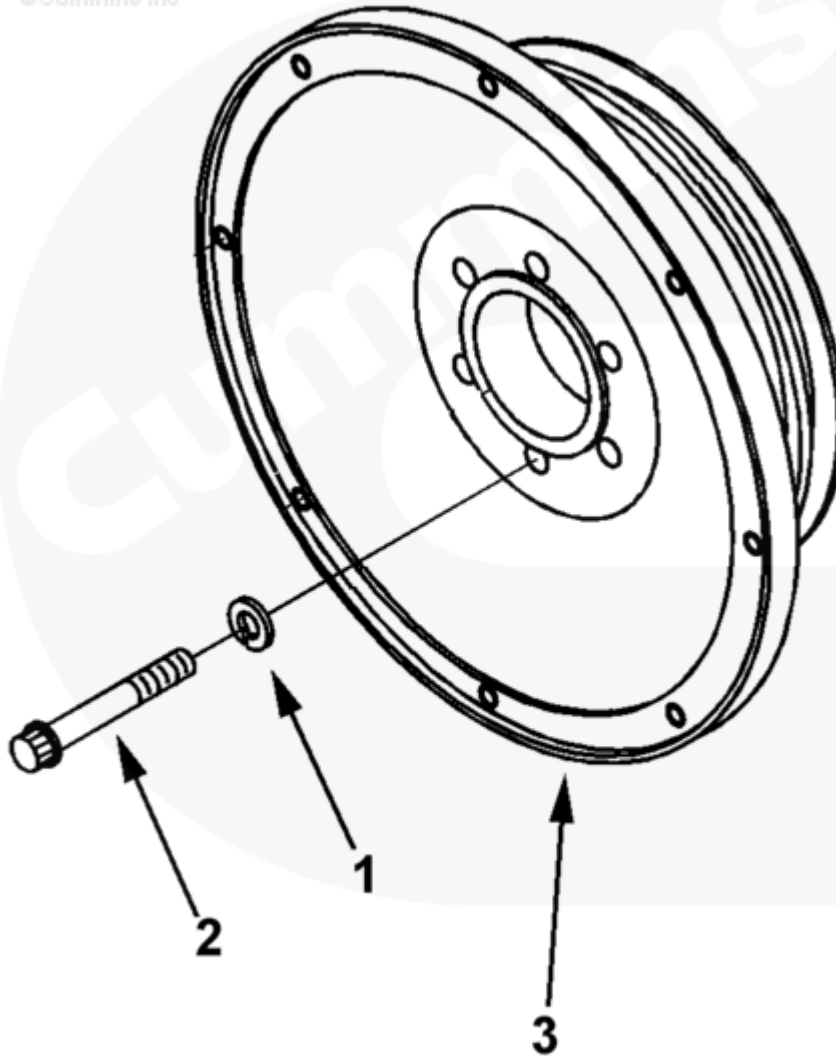




# Parts Catalog - Option Detail

Electronic Parts Catalog - Option Detail				
Option	Group	Graphic	Film Card	Date
AF1029	01.02.3	af100gj	FF	25-NOV-98
<b>Engines</b>	G855, G855 CM558, GTA855 CM558 (CM2358) G101, N14 CELECT, N14 CELECT PLUS, N14 MECHANICAL, NH/NT 855, QSM11 CM876 M101, QSM11 CM876 M102M, QSN14 CM876 N103, QSN14 CM876 N105, QSNT14 CM876 N102			

©Cummins Inc



**af100gj**

[SMALL](#) | [MEDIUM](#) | [LARGE](#)

Cart	Ref No	Part Number	Part Description	Required	Remarks
<a href="#">View My Cart</a>					

		AF1029	Front Clutch		
					Adapter for twin disc SL
					series clutch for 292mm
					(11.5 inch) with 3 groove
					pulley. For SAE 19mm (.75
					inch) v-belt.
<input type="checkbox"/>	1	S 608	Lock Washer	6	1/2 in.
<input type="checkbox"/>	2	205357	Twelve Point Cap Screw	6	1/2 - 13 X 3 3/4 Inch.
<input type="checkbox"/>	3	3010321	Crankshaft Pulley	1	

© 2019 Cummins Inc., Box 3005, Columbus, IN 47202-3005 U.S.A.  
Terms of Use and Disclaimers | Recommended System Requirements  
Need Assistance? Please click on the Contact Us button in the top right corner of any page.