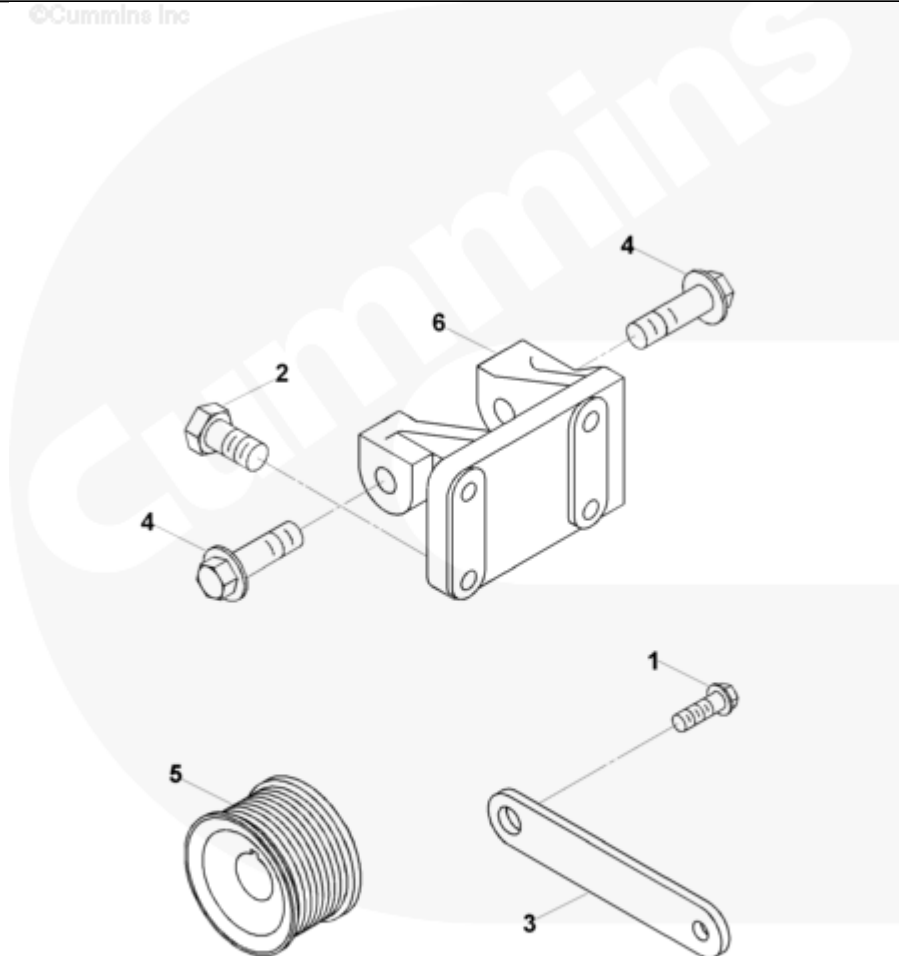




Parts Catalog - Option Detail

Electronic Parts Catalog - Option Detail				
Option	Group	Graphic	Film Card	Date
EH9134	13.02.3	eh951gx	Z	19-NOV-96
Engines	6C8.3, C GAS PLUS CM556, G8.3, G8.3 CM558, GTA8.3 CM558, ISC CM2150, ISC CM554, ISC CM850, ISC8.3 CM2250, ISC8.3 G CM2180 C101, ISL CM2150, ISL CM554, ISL CM850, ISL G CM2180, ISL8.9 CM2150 L110, ISL8.9 CM2880 L112, ISL9 CM2150 SN, ISL9 CM2250, ISL9 CM2350 L101, ISL9 CM2350 L111, ISLE4 CM850, L GAS PLUS CM556, L8.9, L8.9 L121, L8.9G CMOH2.0 L125B, L9 CM2350 L116B, L9 CM2350 L119B, L9 CM2350 L120C, L9 CM2350 L123B, L9.3 L105, L9.5 L117, L9N CM2380 L124B, QSC8.3 CM2250, QSC8.3 CM2880 C102, QSC8.3 CM554, QSC8.3 CM850(CM2850), QSL9 CM2250, QSL9 CM2250 L115, QSL9 CM2350 L102, QSL9 CM2350 L107, QSL9 CM2350 L118, QSL9 CM2350 L122, QSL9 CM554, QSL9 CM850(CM2850), QSL9 G CM558, QSL9 M CM2250 L106, QSL9.3 CM2880 L113			



eh951gx

SMALL | MEDIUM | LARGE

Cart	Ref No	Part Number	Part Description	Required	Remarks
View My Cart					
		EH9134	Alternator Location		Alternator Location...(More)
					Engine Design Phase: Current
					Product
					Pulley Retainer Provided: No
					Alternator Pulley Provided:
					Yes
					Belt Supplier: Cummins
					Belt Tensioner Supplier:
					Cummins
					Alternator Drive Speed: 2.9
					Pulley Loc. Hor. from Crank
					C/L (mm): TBD
					Pulley Loc. Vert. from Crank
					C/L (mm): TBD
					Damper Pulley Effective
					Diameter (mm): 173.76
					Alternator Driven by AUX
					Belt: No
					Required Tensioner Pulley
					Material: Steel
					Pad for Freon Compressor
					Provided: No
					Engine Family: C Series
					Alternator
					Manufacturer/Model:
					Bosch N-1 up to 14V/110A
					Bosch N-1 up to 28V/80A
					Delco Remy 20 SI up to

					12V/60A
					Delco Remy 20 SI up to
					24V/60A
					Delco Remy 22 SI12V/160A
					Delco Remy 22 SI24V/70A
					Stud for Wiring Harness
					Attachment: No
					ALT Tail Support Required:
					No
					REF. Compressor MTG Hardware
					Included: No
					Tall Tensioner Bracket: No
					For use with no fan center.
					DEP may substitute 3284474
					for 3918275.
<input type="checkbox"/>	1	3052061	Hexagon Head Cap Screw	1	1/2 - 13 x 1 in.
<input type="checkbox"/>	2	3900631	Hexagon Flange Head Cap Screw	4	M8 X 1.25 X 25.
<input type="checkbox"/>	3	3920317	Alternator Brace	1	
<input type="checkbox"/>	4	3920447	Hexagon Flange Head Cap Screw	2	M12 X 1.75 X 40.
<input type="checkbox"/>	5	3918275	Alternator Pulley	1	
<input type="checkbox"/>	6	3929418	Alternator Support	1	