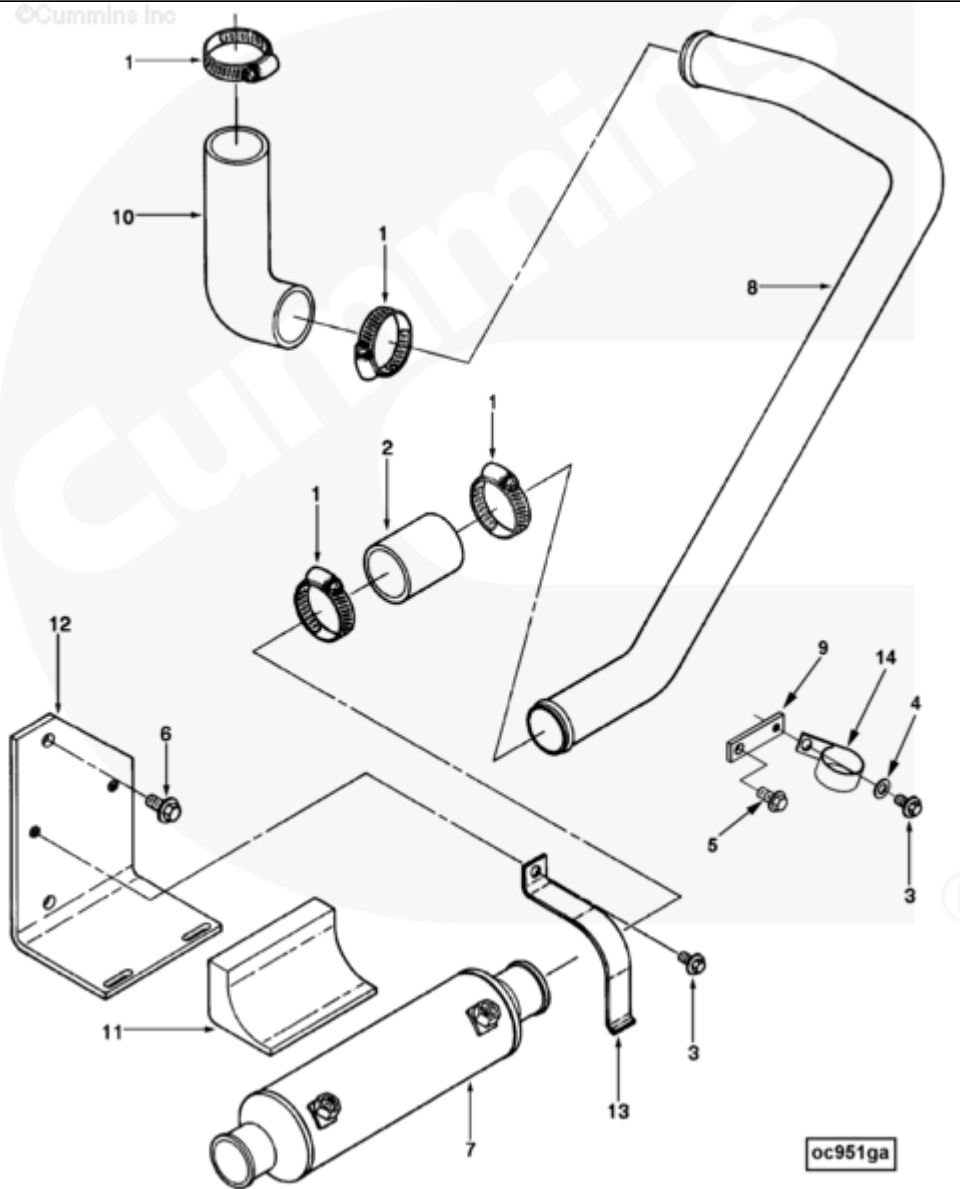




Parts Catalog - Option Detail

Electronic Parts Catalog - Option Detail				
Option	Group	Graphic	Film Card	Date
OC9008	16.05.4	oc951ga	Z	31-JAN-92
Engines	6C8.3, C GAS PLUS CM556, G8.3, G8.3 CM558, GTA8.3 CM558, ISC CM2150, ISC CM554, ISC CM850, ISC8.3 CM2250, ISC8.3 G CM2180 C101, ISL CM2150, ISL CM554, ISL CM850, ISL G CM2180, ISL8.9 CM2150 L110, ISL8.9 CM2880 L112, ISL9 CM2150 SN, ISL9 CM2250, ISL9 CM2350 L101, ISL9 CM2350 L111, ISLE4 CM850, L GAS PLUS CM556, L8.9, L8.9 L121, L8.9G CMOH2.0 L125B, L9 CM2350 L116B, L9 CM2350 L119B, L9 CM2350 L120C, L9 CM2350 L123B, L9.3 L105, L9.5 L117, L9N CM2380 L124B, QSC8.3 CM2250, QSC8.3 CM2880 C102, QSC8.3 CM554, QSC8.3 CM850(CM2850), QSL9 CM2250, QSL9 CM2250 L115, QSL9 CM2350 L102, QSL9 CM2350 L107, QSL9 CM2350 L118, QSL9 CM2350 L122, QSL9 CM554, QSL9 CM850(CM2850), QSL9 G CM558, QSL9 M CM2250 L106, QSL9.3 CM2880 L113			



oc951ga

SMALL | MEDIUM | LARGE

Cart	Ref No	Part Number	Part Description	Required	Remarks
View My Cart					
		OC9008	Marine Gear Oil Cooler		
					Marine Gear Oil Cooler
					mounted on port side of "C"
					Series marine engines.
<input type="checkbox"/>	1	3922846	Hose Clamp	4	
<input type="checkbox"/>	2	555538	Plain Hose	1	
<input type="checkbox"/>	3	3900629	Hexagon Flange Head Cap Screw	3	M8 X 1.25 X 16
<input type="checkbox"/>	4	S 622	Plain Washer	1	3/8 in.
<input type="checkbox"/>	5	3901249	Hexagon Flange Head Cap Screw	1	M12 X 1.75 X 25.
<input type="checkbox"/>	6	3903990	Hexagon Flange Head Cap Screw	2	M10 X 1.50 X 20.
<input type="checkbox"/>	7	3912146	Oil Cooler	1	
<input type="checkbox"/>	8	3912160	Sea Water Pump Tube	1	
<input type="checkbox"/>	9	3912161	Tube Brace	1	
<input type="checkbox"/>	10	3912177	Elbow Hose	1	
<input type="checkbox"/>	11	3912987	Vibration Isolator	1	
<input type="checkbox"/>	12	3912989	Oil Cooler Bracket	1	
<input type="checkbox"/>	13	3919675	Retaining Clamp	2	
<input type="checkbox"/>	14	3000900	Clip	1	