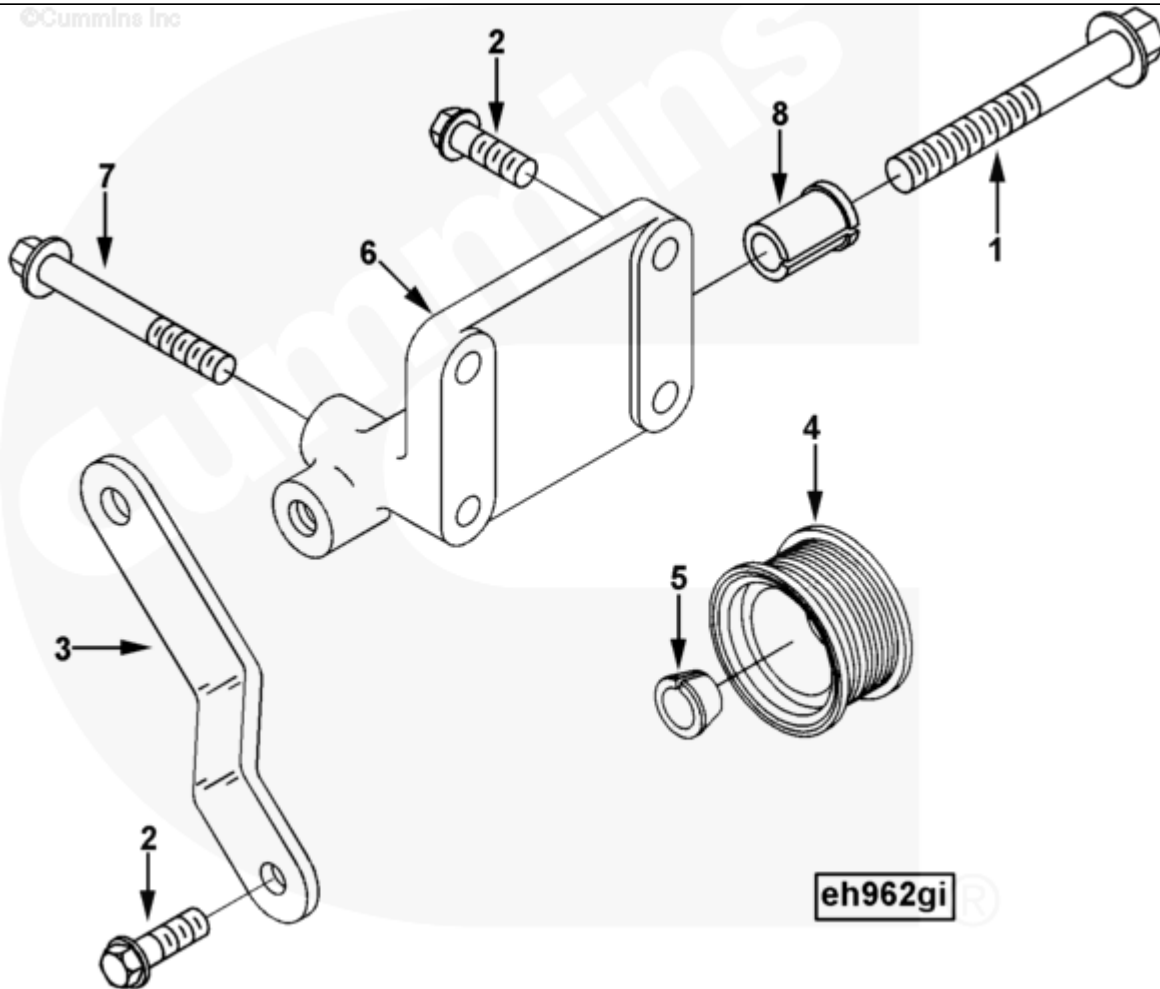




Parts Catalog - Option Detail

Electronic Parts Catalog - Option Detail				
Option	Group	Graphic	Film Card	Date
EH9020-06	13.02.3	eh962gi	Z	10-APR-05
Engines	6C8.3, C GAS PLUS CM556, G8.3, G8.3 CM558, GTA8.3 CM558, ISC CM2150, ISC CM554, ISC CM850, ISC8.3 CM2250, ISC8.3 G CM2180 C101, ISL CM2150, ISL CM554, ISL CM850, ISL G CM2180, ISL8.9 CM2150 L110, ISL8.9 CM2880 L112, ISL9 CM2150 SN, ISL9 CM2250, ISL9 CM2350 L101, ISL9 CM2350 L111, ISLE4 CM850, L GAS PLUS CM556, L8.9, L8.9 L121, L8.9G CMOH2.0 L125B, L9 CM2350 L116B, L9 CM2350 L119B, L9 CM2350 L120C, L9 CM2350 L123B, L9.3 L105, L9.5 L117, L9N CM2380 L124B, QSC8.3 CM2250, QSC8.3 CM2880 C102, QSC8.3 CM554, QSC8.3 CM850(CM2850), QSL9 CM2250, QSL9 CM2250 L115, QSL9 CM2350 L102, QSL9 CM2350 L107, QSL9 CM2350 L118, QSL9 CM2350 L122, QSL9 CM554, QSL9 CM850(CM2850), QSL9 G CM558, QSL9 M CM2250 L106, QSL9.3 CM2880 L113			



SMALL | MEDIUM | LARGE

Cart	Ref No	Part Number	Part Description	Required	Remarks
View My Cart					
		EH9020-06	Alternator Location		MR - LOCATION, ALTERNATOR...(More)

				Engine Design Phase: Current
				Product
				Pulley Retainer Provided:
				Yes
				Alternator Pulley Provided:
				Yes
				Belt Supplier: Cummins
				Belt Tensioner Supplier:
				Cummins
				Alternator Mount Type: 2
				Inch Spool
				Damper Pulley Effective
				Diameter
				(mm): 173.76
				Alternator Driven By
				Auxiliary Belt: No
				Required Tensioner Pulley
				Material: Steel
				Pad for Freon Compressor
				Provided: No
				Engine Family: C Series
				Alternator
				Manufacturer/Model:
				Bosch K-1
				Delco 11SI
				Stud for Wiring Harness
				Attachment: No
				Alternator Tail Support
				Required: No
				REF. Compressor Mounting

					Hardware
					Included: No
					Tall Tensioner Bracket: No
<input type="checkbox"/>	1	3093936	Hexagon Flange Head Cap Screw	1	M10 X 1.50 X 90
<input type="checkbox"/>	2	3900631	Hexagon Flange Head Cap Screw	2	M8 X 1.25 X 25.
<input type="checkbox"/>	3	3907673	Alternator Brace	1	
<input type="checkbox"/>	4	3908560	Alternator Pulley	1	Refer To TSB110082.
<input type="checkbox"/>	5	3908563	Pulley Retainer	1	
<input type="checkbox"/>	6	3923263	Alternator Support	1	
<input type="checkbox"/>	7	3966976	Hexagon Flange Head Cap Screw	2	M8 x 1.25 x 65
<input type="checkbox"/>	8	3974163	Mounting Spacer	1	

© 2019 Cummins Inc., Box 3005, Columbus, IN 47202-3005 U.S.A.
Terms of Use and Disclaimers | Recommended System Requirements
Need Assistance? Please click on the Contact Us button in the top right corner of any page.