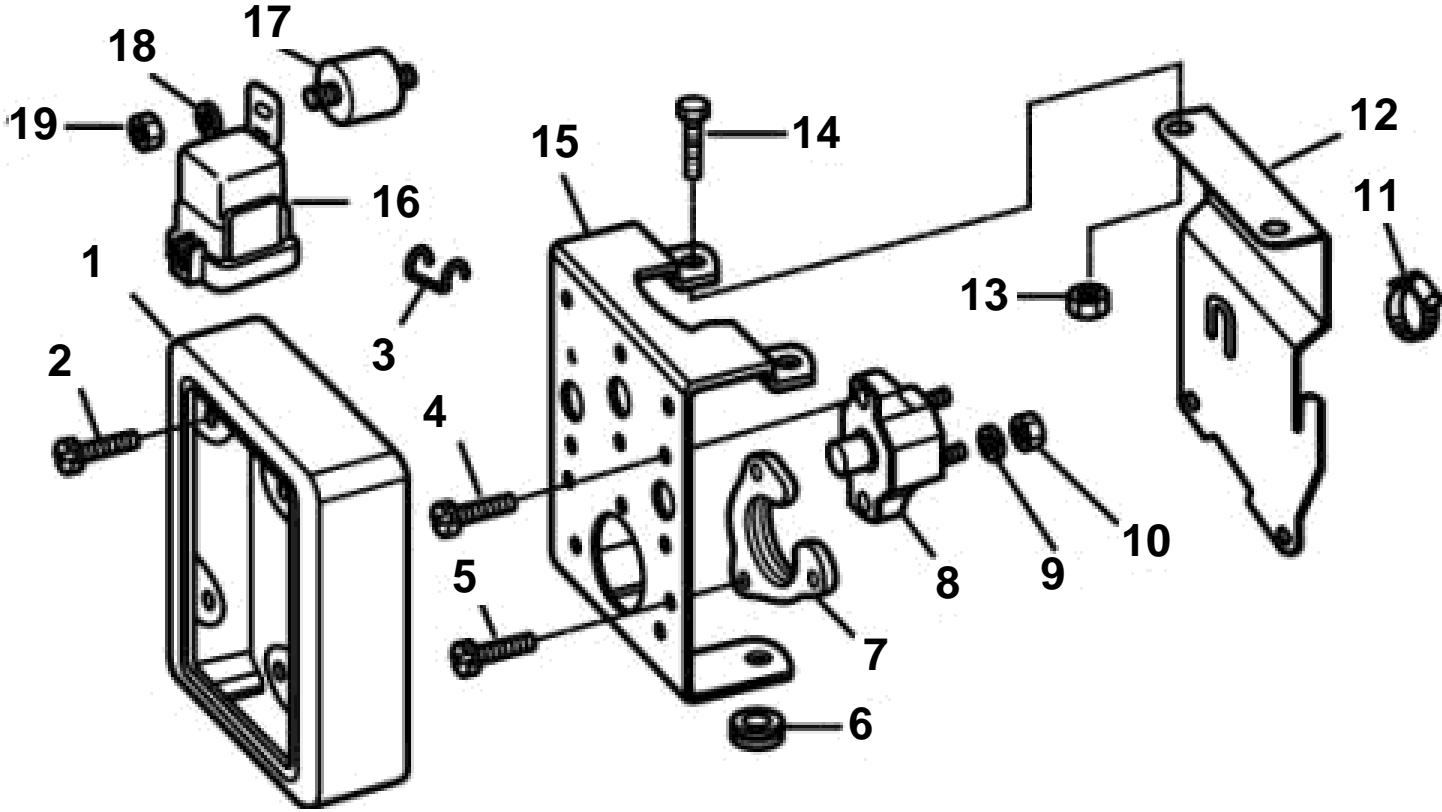


ENGINE WIRE HARNESS BRACKET



ENGINE WIRE HARNESS BRACKET

REF	PART NO.	QTY	DESCRIPTION	NOTES
1	3856764	1	Cover, Bracket	
2	3855938	4	Screw, Bracket cover	
3	3852237	1	Retainer, Amphenol. trim sender, 2 terminal	
4	3853620	4	Screw, Circuit breaker to bracket	
5	3852208	3	Screw, Retainer	Eng. cable end to brkt
6	941263	2	Grommet, Bracket	
7	3852825	1	Retainer, Engine cable	
8	3854164	1	Fuse, 50A, tilt & trim	
	3854164	1	Fuse, 50A, engine	
9	3852001	2	Lock washer, Circuit breaker terminals	
10	3852064	4	Nut, Circuit breaker terminals	
11	3853786	1	Clamp, Instrument cable connector	
12	3857175	1	Bracket, Lift & circuit breaker	
13	3857181	2	Flange lock nut, Bracket	
14	3853266	2	Screw, Circuit breaker bracket	
15	3856186	1	Bracket, Connector & relay	
16	3854138	1	Relay, Starter motor	
17	3850234	1	Isolation, Relay mounting	
18	3852182	1	Lock washer, Isolator	
19	3852118	1	Nut, Relay isolator to electrical bracket	