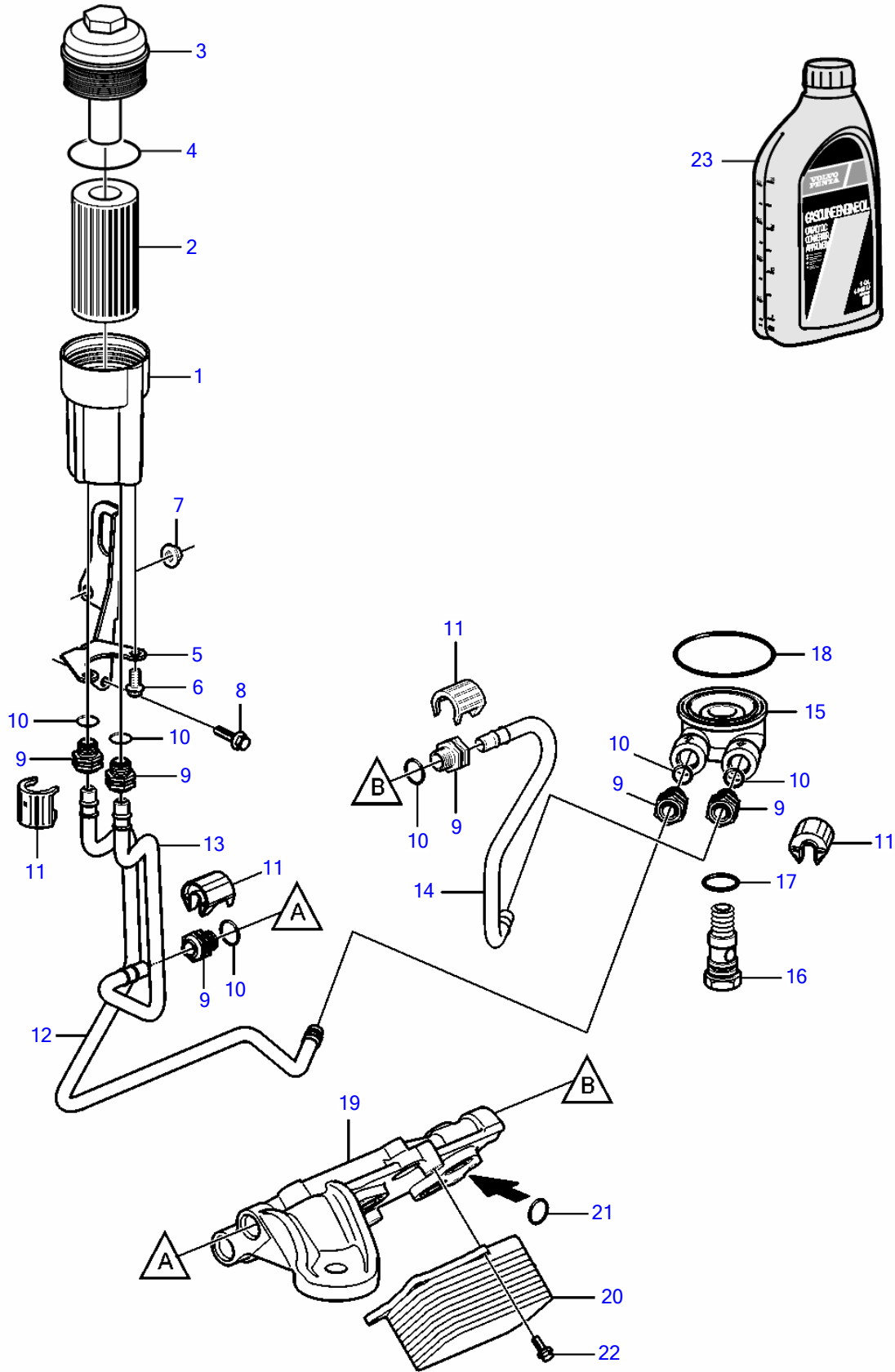


V8-380-C-A, V8-380-C-B



26157

## V8-380-C-A, V8-380-C-B

REF	PART NO.	QTY	DESCRIPTION	SEE SEC.	NOTES
1	3886659	1	Oil reservoir		
2	8692305	1	Oil filter		
3	3875234	1	Cardboard tube		
4		1	• O-ring		not sold separately
5	21612150	1	Bracket		
6	3595499	2	Flange screw		
7	971098	1	Flange lock nut		
8	946544	2	Flange screw		
9	3886181	6	Fitting screw		quick disconnect
10		6	• O-ring		not sold separately
11	3888543	6	Clip		
12	21672342	1	Tube		
13	21672340	1	Tube		
14	21672338	1	Tube		
15	3886159	1	Adapter		
16		1	Retainer		
17	3852089	1	O-ring		
18	3854416	1	O-ring		
19	21625240	1	Bracket		
20	21607166	1	Oil cooler		
21	21717705	4	Gasket		
22	984725	6	Flange screw		
23		X	Oil	36776	For current oil part numbers, follow link to "Maintenance Parts" page.