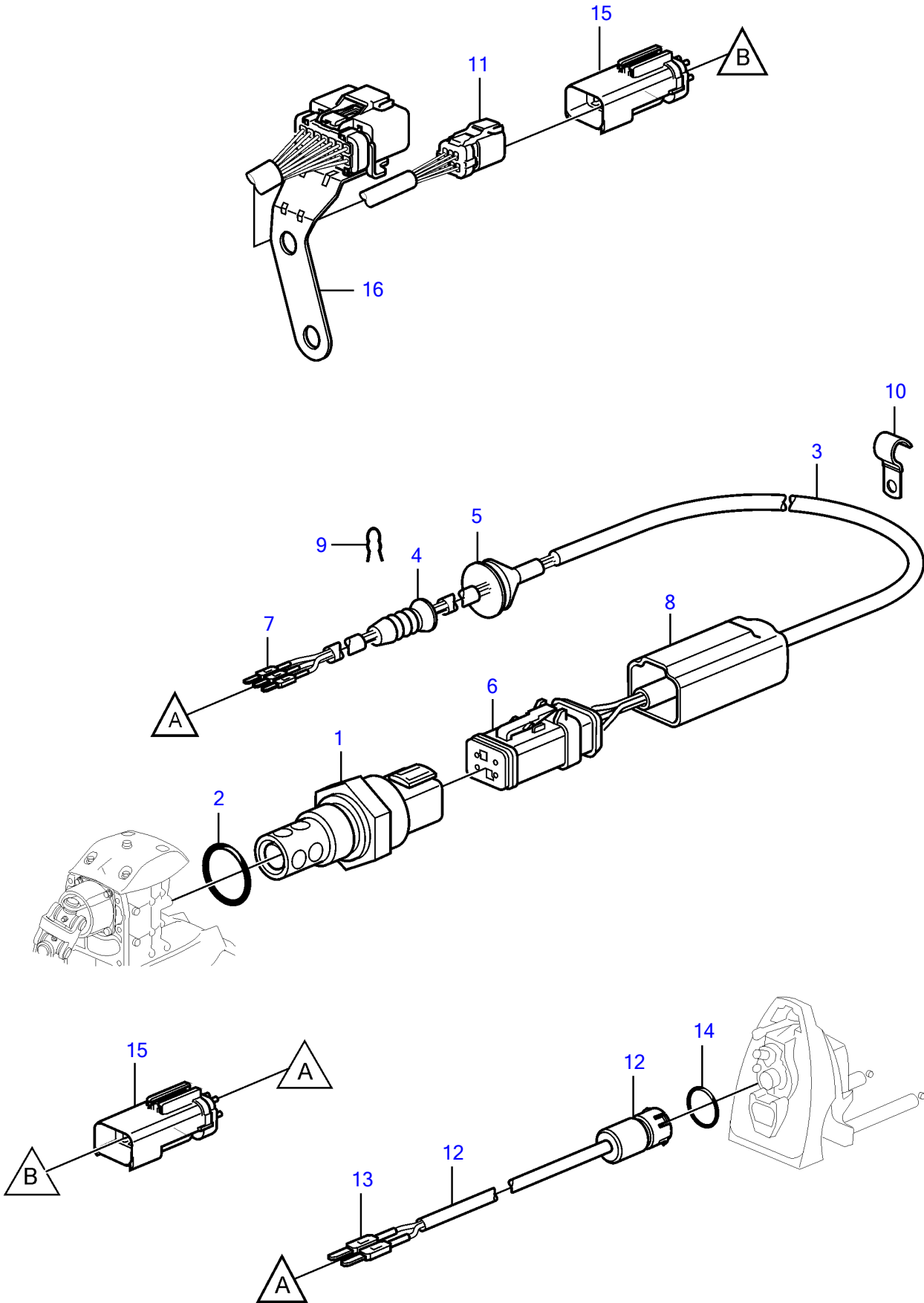


V8-380-C-A, V8-380-C-B



V8-380-C-A, V8-380-C-B

REF	PART NO.	QTY	DESCRIPTION	NOTES
1	21174634	1	Sensor	WID- water in drive oil
2		1	• O-ring	not sold separately
3	21124251	1	Wiring harness	
4		1	• Plug	not sold separately
5		1	• Grommet	not sold separately
6		1	• Connector housing	
		1	• • Seal	not sold separately
7		3	• Terminal	not sold separately
8		1	• Boot	not sold separately
9	3852555	1	Retainer	
10	21174636	6	Attaching clamp	
11		X	Connector	Drive Interface
12	21292836	1	Sensor	WIB - water in bellows
		1	• Housing	not sold separately
13		2	• Terminal	not sold separately
14	3852033	1	• O-ring	
15		1	Connector housing	
16		X		See engine catalog, "Engine Harness" section