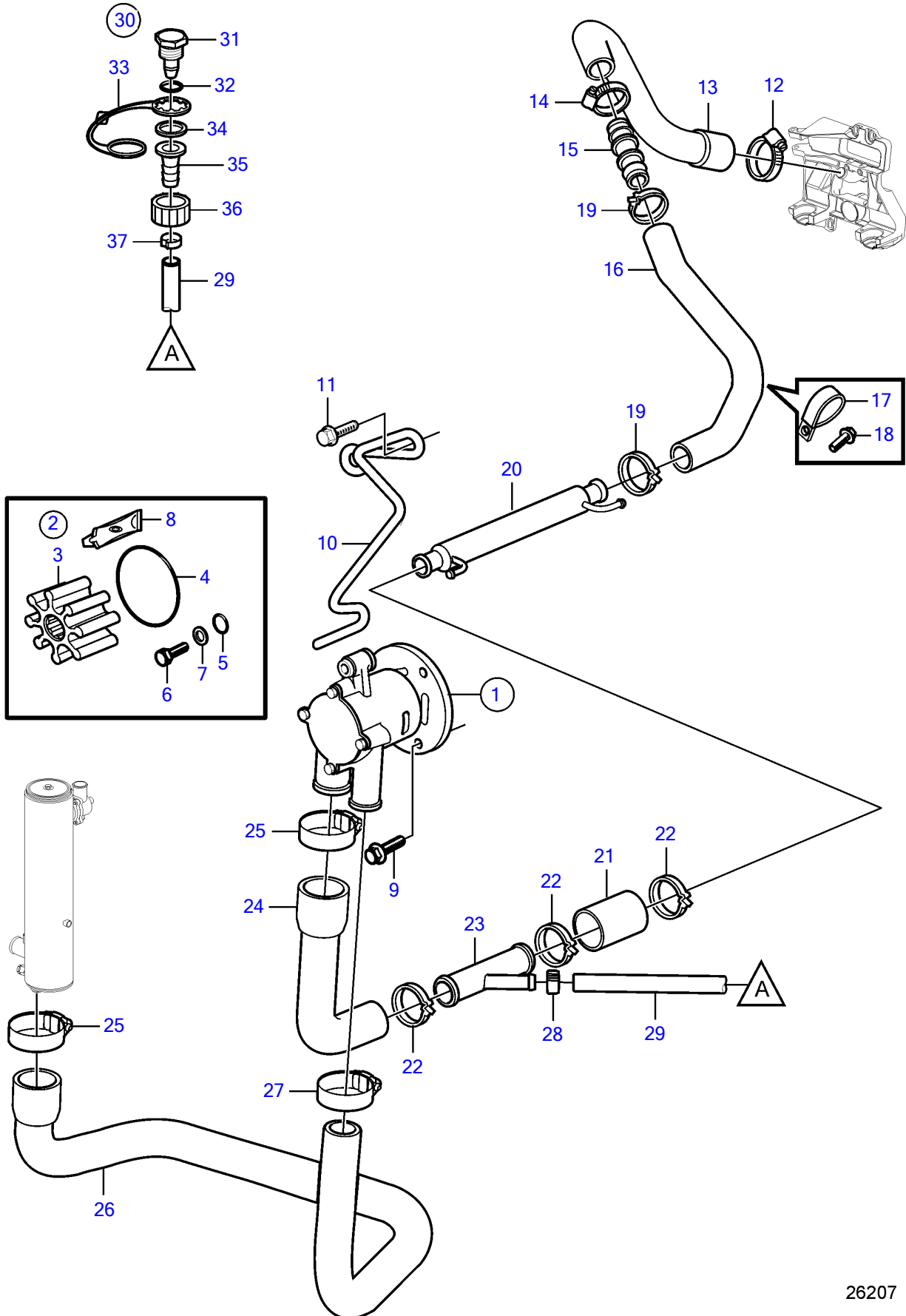


V8-380-C-A



26207

## V8-380-C-A

REF	PART NO.	QTY	DESCRIPTION	NOTES
1	21611833	1	Pump	
2	21700445	1	• Impeller kit	
3		1	• • Impeller	not sold separately
4		1	• • O-ring	not sold separately
5		4	• • O-ring	not sold separately
6		4	• • Screw	not sold separately
7		4	• • Tab washer	not sold separately
8		X	Lubricant, glycerin	from July 2012, no longer needed, not included in impeller kit
9	3595499	3	Flange screw	
10	21616192	1	Bracket	
11		2	Screw	
12	3812302	1	Hose clamp	
13	21340837	1	Hose	
14	3863444	1	Hose clamp	
15	21429137	1	Connector	
16	21644809	1	Hose	
17	3853312	2	Clamp	
18	946441	1	Flange screw	
19		2	Hose clamp	
20	21399019	1	Hydraulic oil cooler	
21	21616887	1	Hose	
22		3	Hose clamp	
23	3862699	1	T-pipe	
24	21616885	1	Hose	
25	3863440	2	Hose clamp	
26	21616857	1	Hose	
27	3852602	1	Hose clamp	
28	978173	1	Hose clamp	
29	(3858576)	1	Hose	Obsolete part
	3860747	1	Hose	Cut to length
30	3807440	1	Connector	
31		1	• Cap	not sold separately
32	942978	1	• O-ring	
33	3862082	1	• Retainer	
34	3807664	1	• Washer	
35		1	• Connector	not sold separately
36		1	• Connector	not sold separately
37	978174	1	Hose clamp	