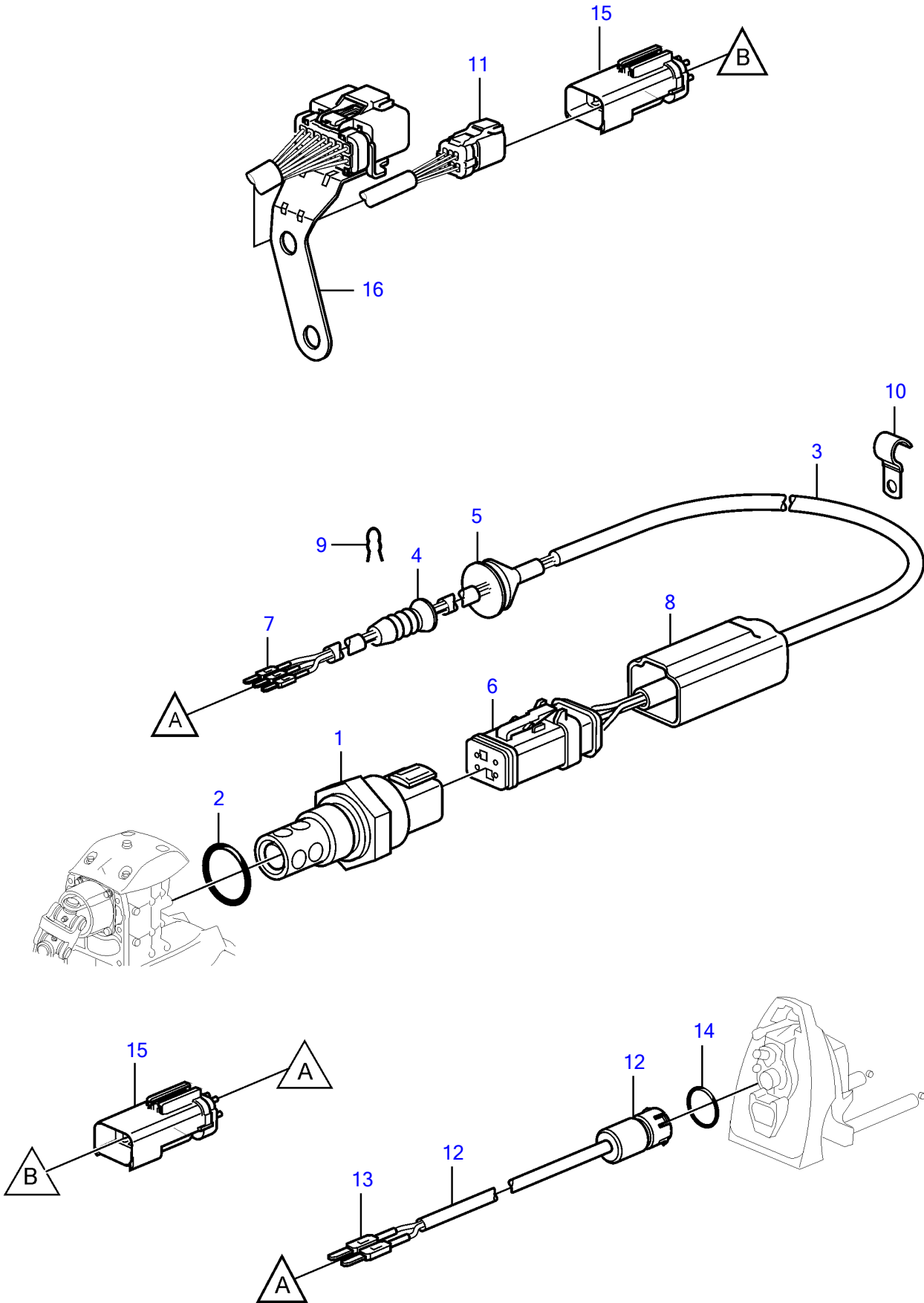


V8-350-C-D, V8-380-C-D



V8-350-C-D, V8-380-C-D

REF	PART NO.	QTY	DESCRIPTION	NOTES
1	21174634	1	Sensor	WID- water in drive oil
2		1	• O-ring	Not sold separately
3	21124251	1	Wiring harness	
4		1	• Plug	Not sold separately
5		1	• Grommet	Not sold separately
6		1	• Connector housing	
		1	• • Seal	Not sold separately
7		3	• Terminal	Not sold separately
8		1	• Boot	Not sold separately
9	3852555	1	Retainer	
10	(21174636)	6	Attaching clamp	Obsolete part
11		X	Connector	Drive Interface
12	21292836	1	Sensor	WIB - water in bellows
		1	• Housing	Not sold separately
13		2	• Terminal	Not sold separately
14	3852033	1	• O-ring	
15		1	Connector housing	
16		X		See engine catalog, "Engine Harness" section