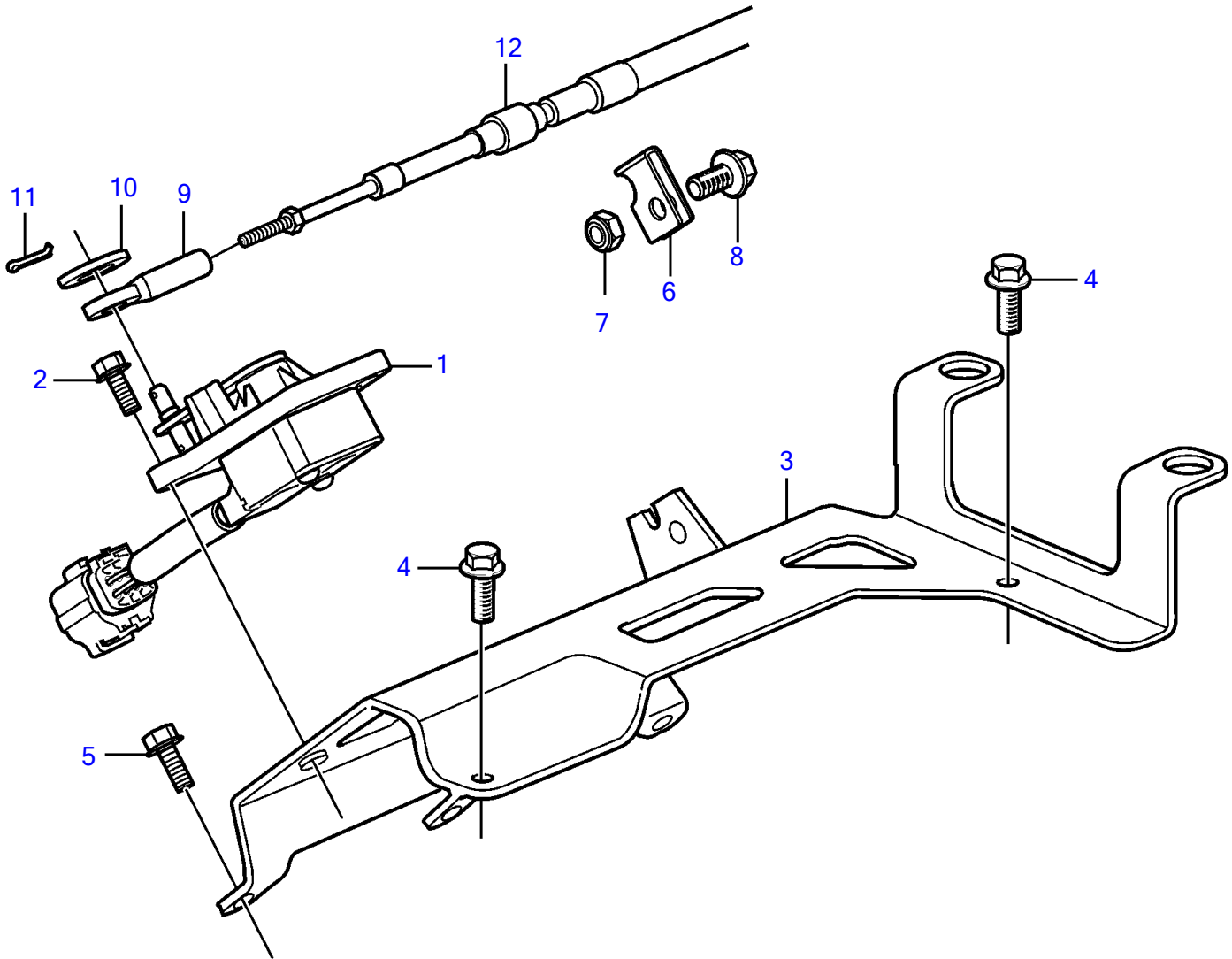


V8-350-C-D, V8-380-C-D



V8-350-C-D, V8-380-C-D

REF	PART NO.	QTY	DESCRIPTION	NOTES
1	21560199	1	Throttle control	to serial number A363206, 8 pin connector
2	946544	4	Flange screw	
3	21618168	1	Bracket	to serial number A363206
4	946544	2	Flange screw	
5	947542	3	Flange screw	
6	21238028	1	Clip	
7	965175	1	Flange screw	
8	3842765	1	Nut retainer	
9	3850941	1	Adapter	
10	3852193	1	Washer	
11	3852052	1	Split pin	
12		1	Cable	