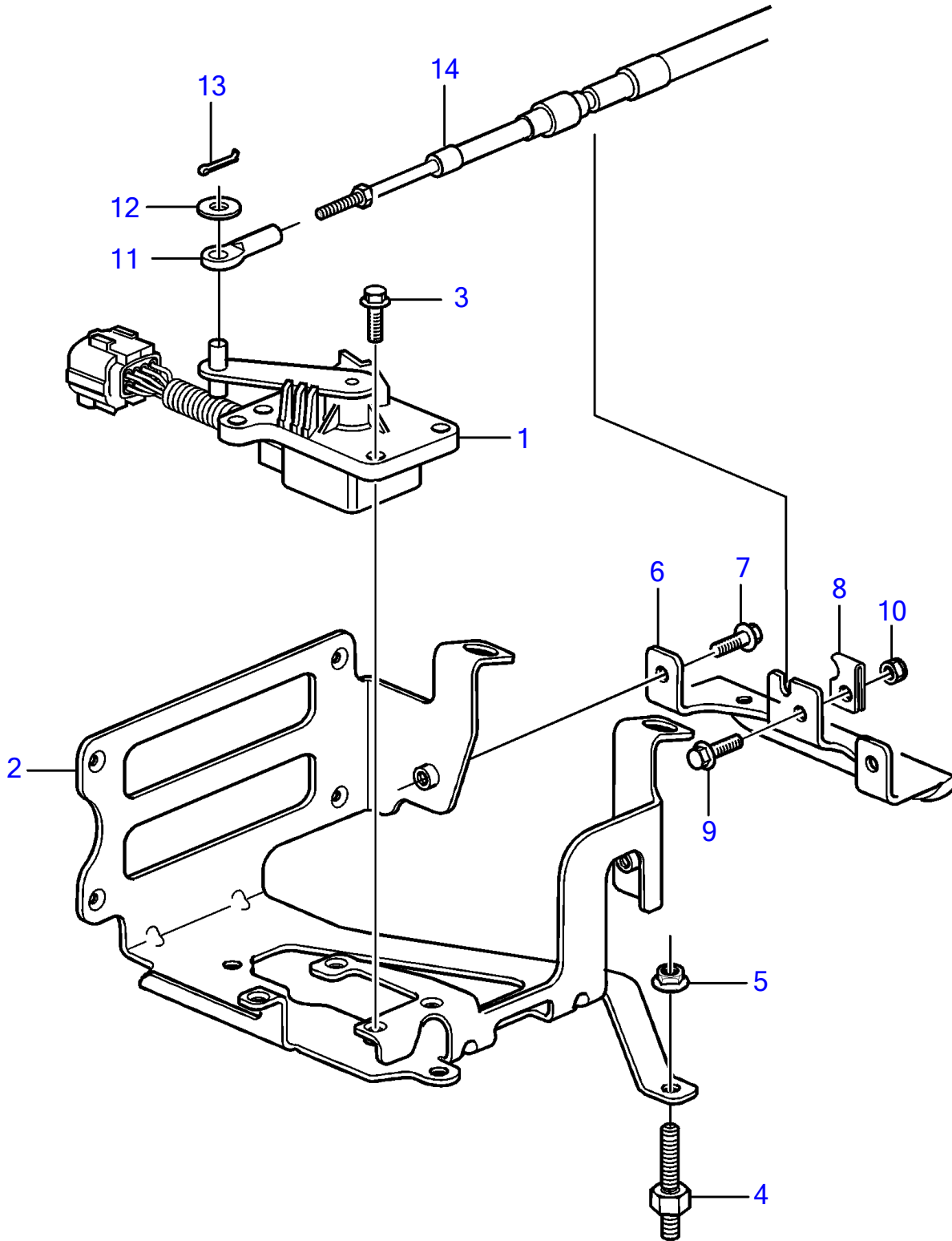


V8-300-B, V8-320-B



V8-300-B, V8-320-B

REF	PART NO.	QTY	DESCRIPTION	NOTES
1	21560199	1	Throttle control	
2	21399636	1	Bracket	
3	946544	4	Flange screw	
4	3594748	1	Spacer screw	L=45mm
	3594749	2	Spacer screw	L=40mm
5	981124	3	Flange nut	
6	21399642	1	Bracket	
7	946544	2	Flange screw	
8	21238028	1	Clip	
9	965175	1	Flange screw	
10	3842765	1	Nut retainer	
11	3850941	1	Adapter	
12	3852193	1	Washer	
13	3852052	1	Split pin	
14		1	Cable	