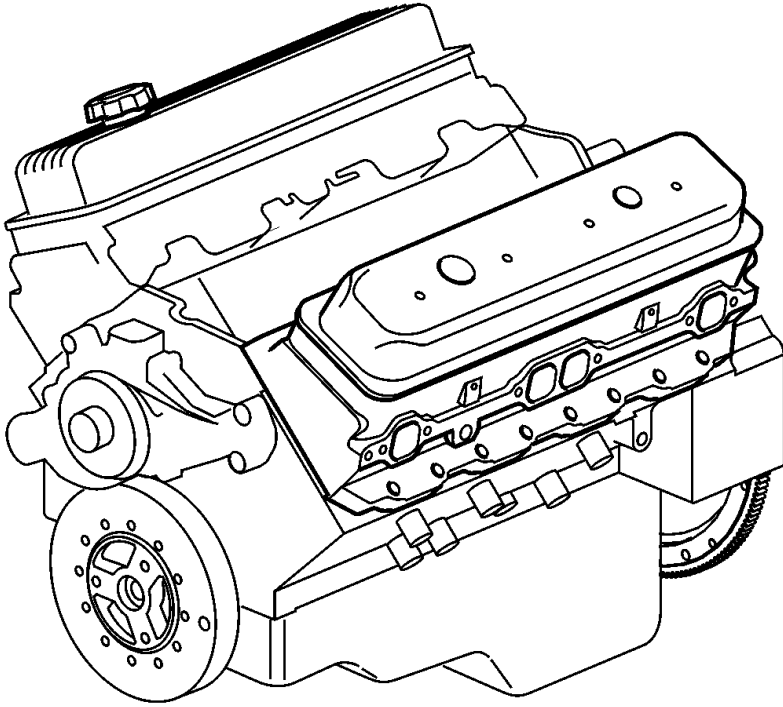


V8-300-A

①



V8-300-A

REF	PART NO.	QTY	DESCRIPTION	SEE SEC.	NOTES
1	3801410	1	Longblock engine		Use to repair non-compliant engines
			• Bulletin P-21-0-25	P-21-0-25-EN	US EPA Regulations for Longblock Sales and Use
			• Bulletin P-21-0-27	P-21-0-27-EN	5.0/5.7L Longblocks, remanufactured