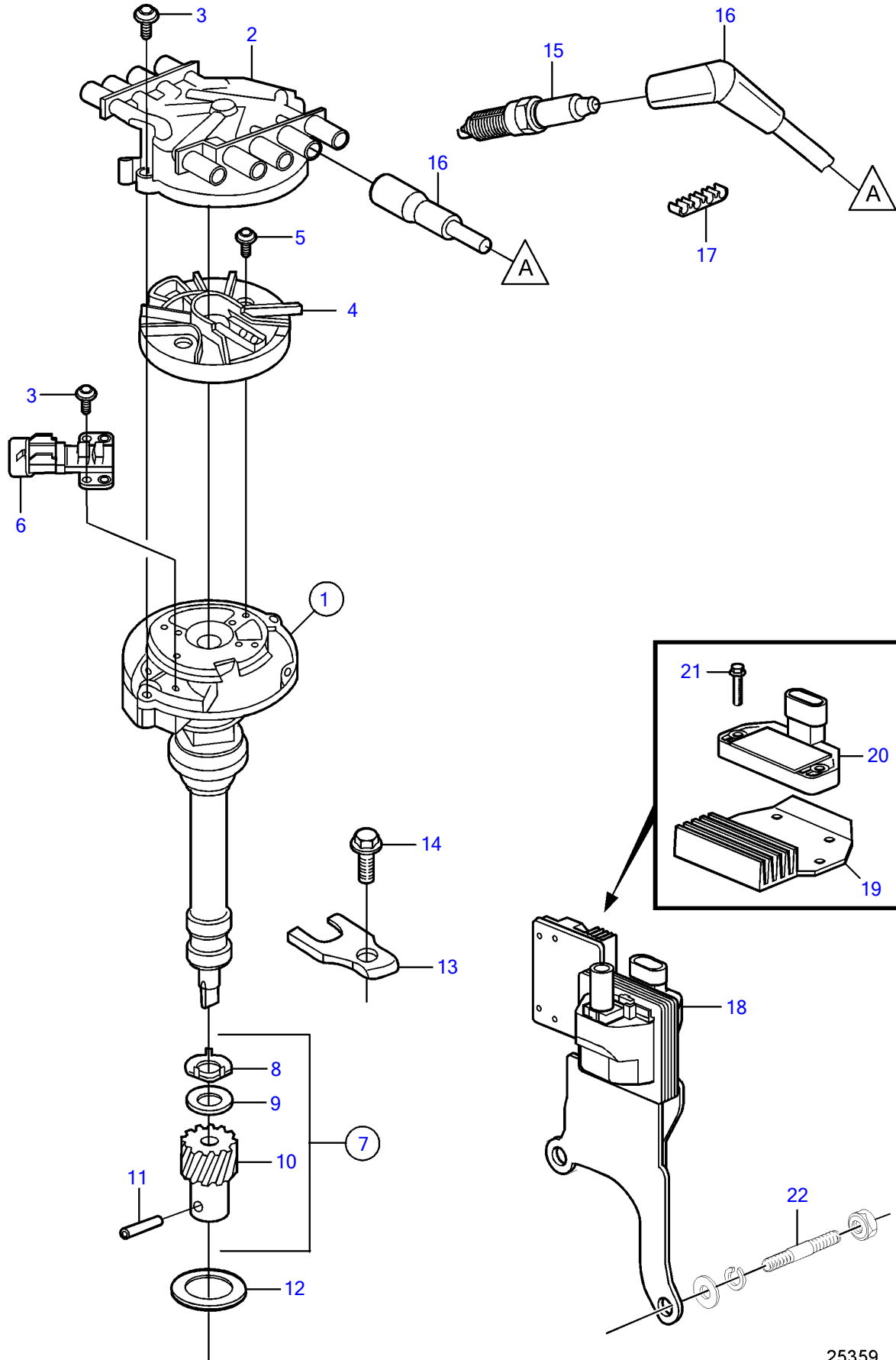


V8-270-E-A



## V8-270-E-A

REF	PART NO.	QTY	DESCRIPTION	NOTES
1	3861987	1	Distributor	replaced by next part number
	21622232	1	Distributor	
2	3858975	1	• Distributor cap	
3	3858976	4	• Bolt	
4	3858977	1	• Rotor	
5	3858978	2	• Bolt	
6	3863130	1	• Sensor, camshaft position	
7	3858980	1	• Kit	
8		1	• • Washer	not sold separately
9		1	• • Washer	not sold separately
10		1	• • Gear	not sold separately
11		1	• • Pin	not sold separately
12	3852109	1	Gasket	
13	3852108	1	Clamp	
14	3861978	1	Screw	
15	21467472	2	Spark plug kit	4 pack
	21467473	1	Kit	24 pack
16	3888328	1	Ignition cable kit	
17	(3852491)	4	Retainer	Obsolete part
18	21436799	1	Ignition coil	
19	3858985	1	• Cooling plate	
20	3858984	1	• Module	
21	3858986	2	• Bolt	
22		2	Stud	See page with flywheel and flywheel housing.