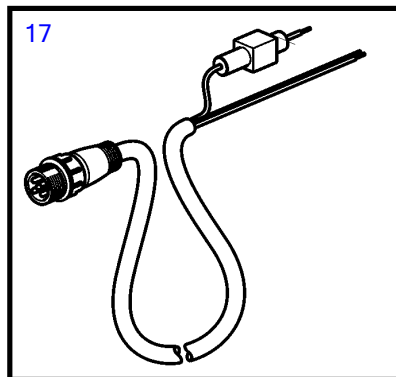
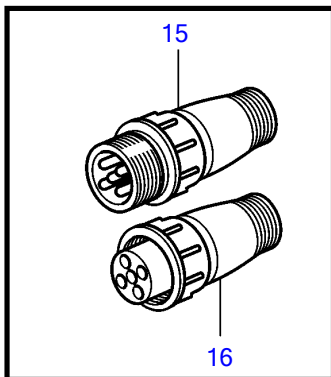
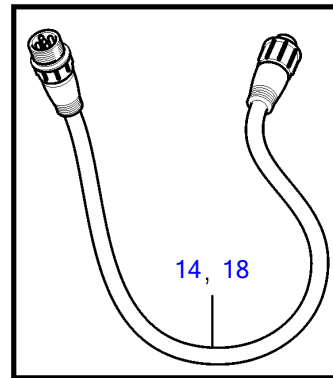
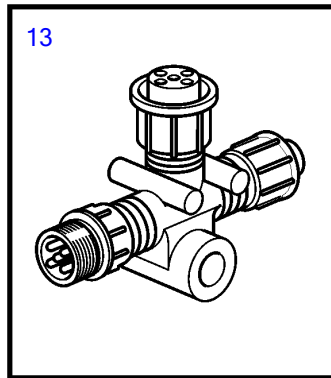
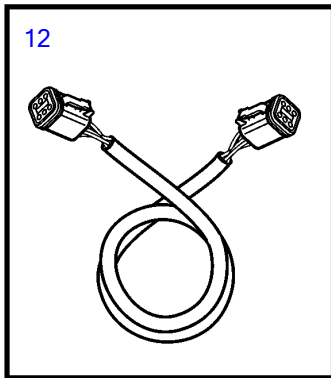
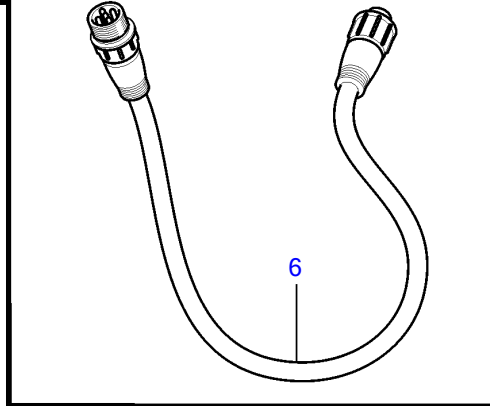
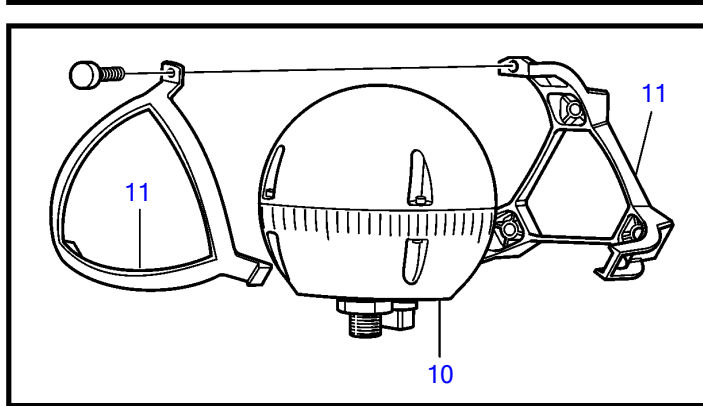
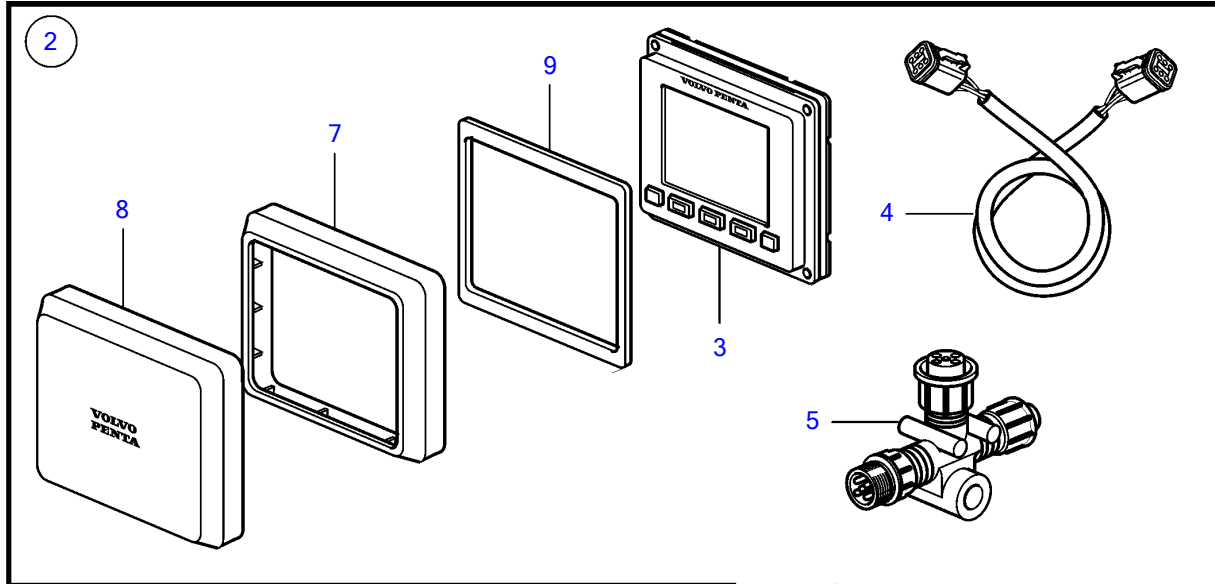


V8-270-E-A



1

## V8-270-E-A

REF	PART NO.	QTY	DESCRIPTION	NOTES
1		1	Auto pilot	
2		1	• Auto pilot display	
3	21812273	1	• • Display	
4	3886666	1	• • Cable	
5	21812195	1	• • Connector	
6	21812194	1	• • Cable	
7	21611210	1	• • Frame	
8	21611208	1	• • Cover	
9	21693705	1	• • Gasket	
10	21812209	1	• Compass kit	
11	21812274	1	• Bracket	
12	3886666	1	• Cable	
13	21812195	2	• Connector	
14	21812194	1	• Cable	
15	21812196	1	• Connector	
16	21812203	1	• Connector	
17	21812205	1	• Cable	
18	21812185	1	Cable	L=0,3m
	21867150	1	Cable	L=4m
	21867151	1	Cable	L=6m
	21867152	1	Cable	L=10m