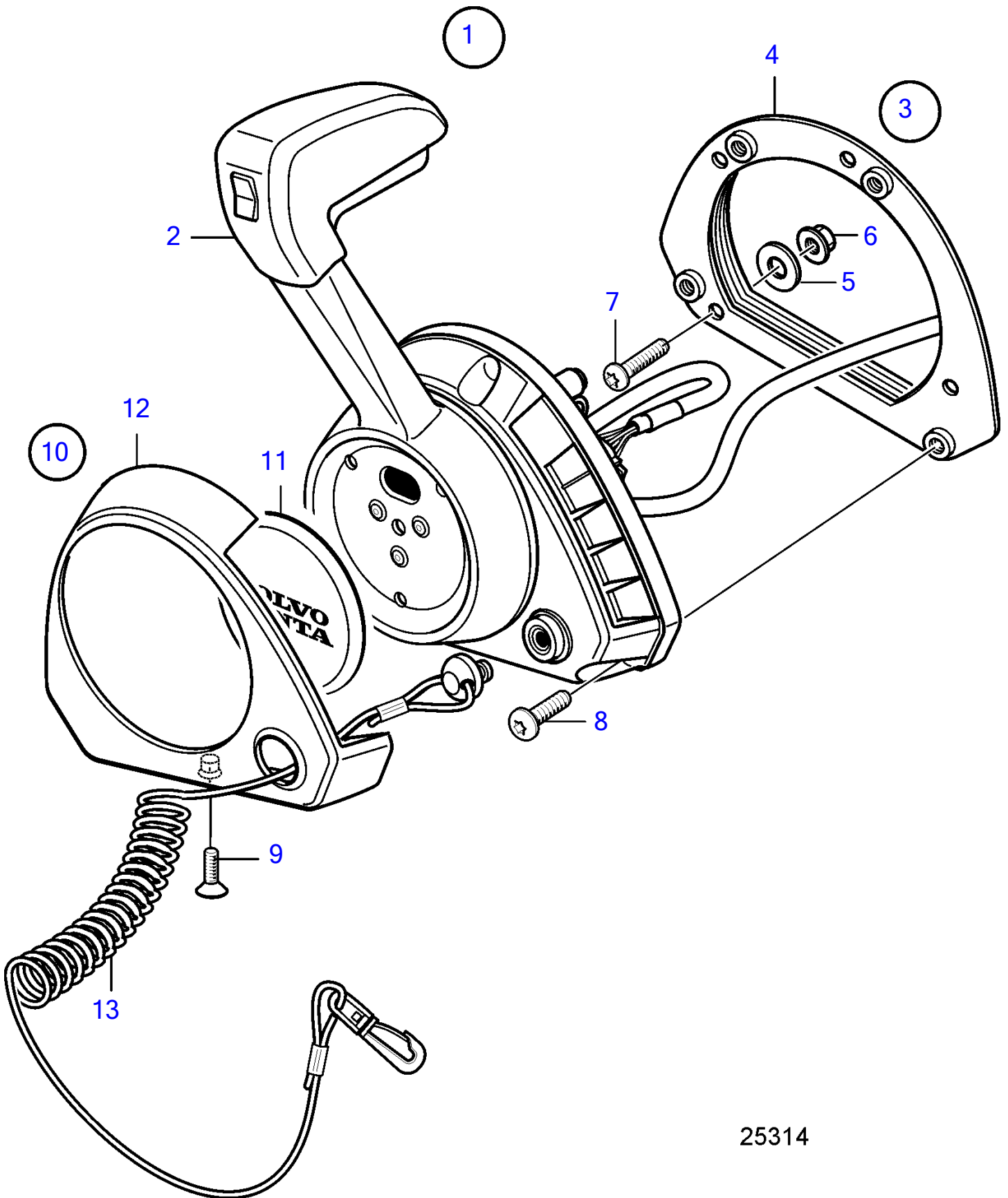


V8-270-E-A



25314

V8-270-E-A

| REF | PART NO.   | QTY | DESCRIPTION              | NOTES   |
|-----|------------|-----|--------------------------|---|
| 1   | 21847446   | 1   | Control lever            |   |
|     | 3586259    | 1   | Software                 | Vodia-programming. This p/n can not be ordered, but will be used for invoicing.     |
|     | 3586261    | 1   | Software                 | Warehouse programming. This p/n can not be ordered, but will be used for invoicing. |
| 2   |            | 1   | • Control lever          |   |
| 3   | 21461723   | 1   | • Installation kit       |   |
| 4   | (21461725) | 1   | • • Bracket              | Obsolete part   |
| 5   | 940191     | 4   | • • Washer               |   |
| 6   | 966170     | 4   | • • Lock nut             |   |
| 7   | (994914)   | 4   | • • Hex. socket screw    | Obsolete part   |
| 8   | (995201)   | 4   | • • Hex. socket screw    | Obsolete part   |
| 9   | (969868)   | 1   | • • 6 point socket screw | Obsolete part   |
| 10  | (21572761) | 1   | • Cover                  | Obsolete part   |
| 11  |            |     | • • Cover                |   |
| 12  |            |     | • • Cover                |   |
| 13  | 21552068   | 1   | • Safety strap           |   |

47702828-27-37379

25314

Upd:2014-07-01

V8-270-E-A