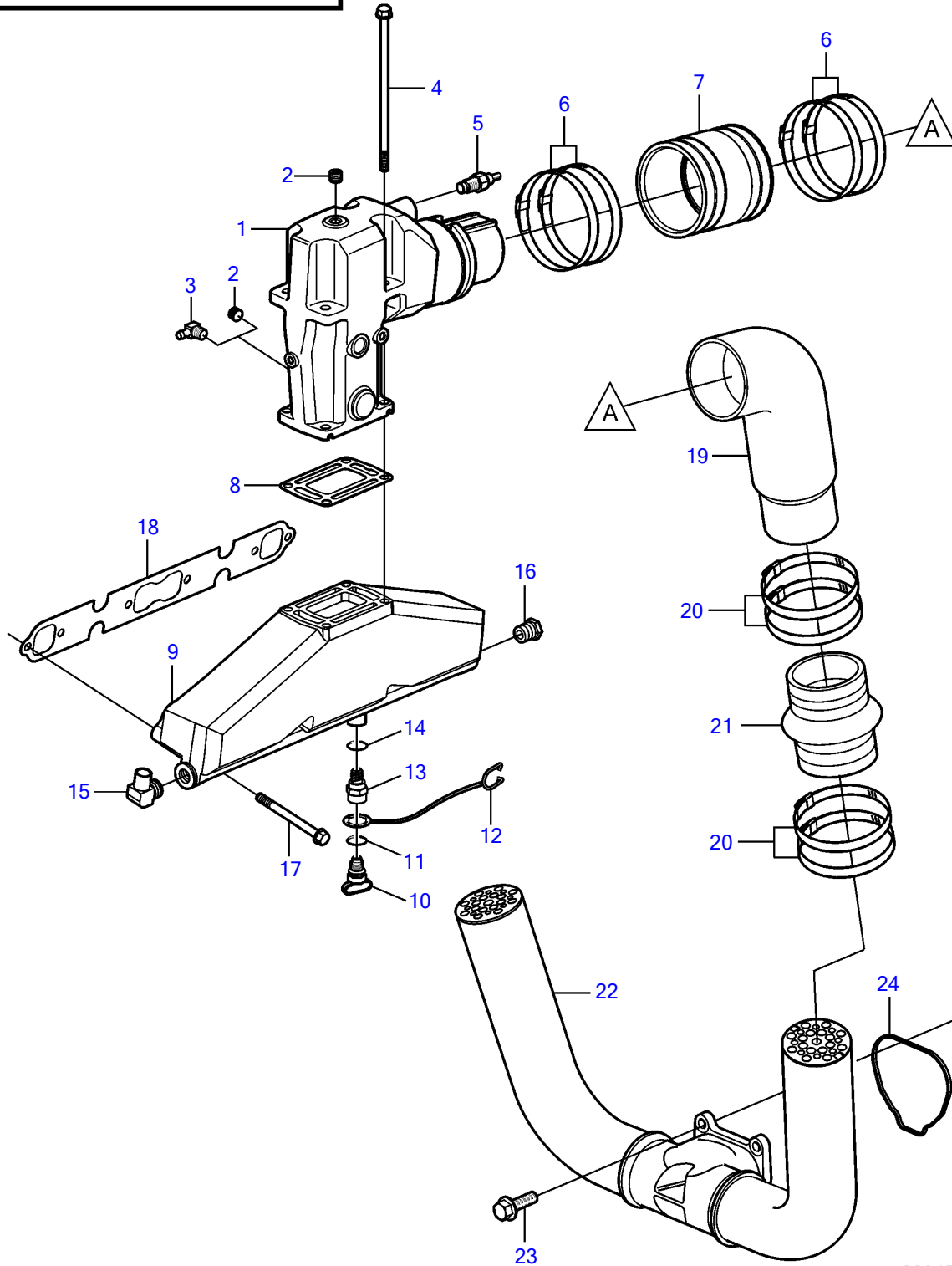
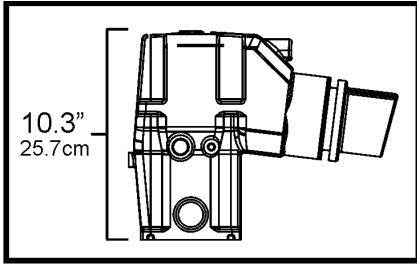


V8-270-B



V8-270-B

REF	PART NO.	QTY	DESCRIPTION	SEE SEC.	NOTES
1	3889965	2	Manifold		
			• Bulletin P-25-1-4	P-25-1-4-EN	Tall Riser Options
2	3850740	3	Plug		
3	3853597	1	Elbow		
4	3808361	8	Flange screw		
5	3862500	2	Temperature sensor		
6	3863443	8	Hose clamp		
7	3852696	2	Hose		
8	3863191	1	Kit		
		2	• Gasket		not sold separately
9	3847501	2	Manifold		
10	21114522	2	• Drain plug		
	3849500	1	• • Plug		Replaced by 21114522, not sold separately
11	976970	1	• • O-ring		
12	3849892	1	• • Retainer		
13	21238201	2	• Adapter		
14	976970	2	• • O-ring		
15	3852538	2	• Elbow		
16	3595388	2	• Plug		
17	3857184	12	Flange screw		
18	3852468	2	Gasket		
19	3863189	2	Elbow		
20	3863442	8	Hose clamp		
21	3863450	2	Bellows		
22	3847749	1	Exhaust pipe		
23	3841928	4	Flange screw		
24	3841013	1	Gasket		