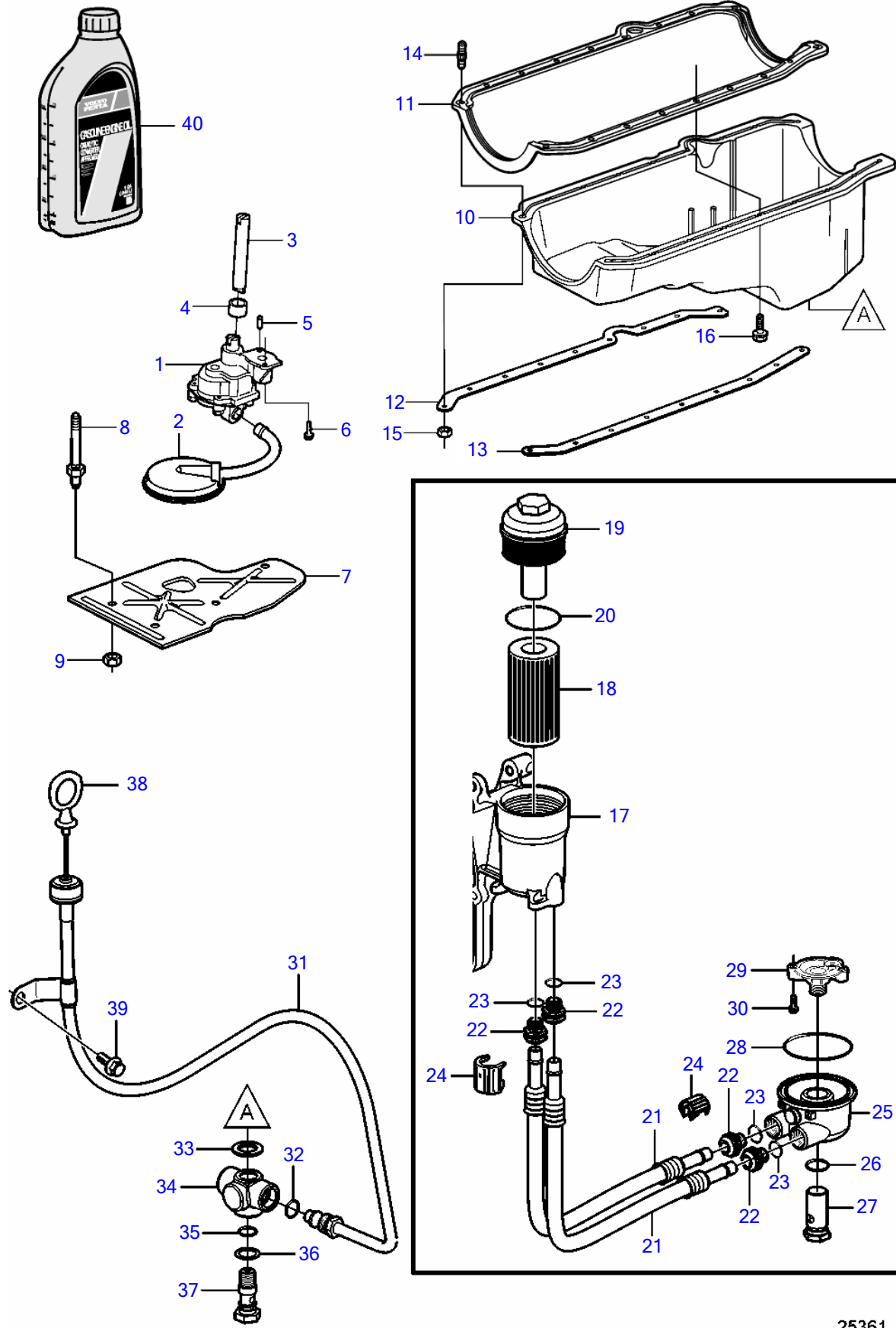


V8-270-B



25361

V8-270-B

REF	PART NO.	QTY	DESCRIPTION	NOTES
1	3856125	1	Oil pump	
2	3856126	1	Strainer	
3	3853198	1	Shaft	
4	3853199	1	Retainer	
5	3855972	2	Pin	
6	3853234	1	Bolt	
7	3852744	1	Baffle	
8	3862354	6	Stud	
9	3857664	5	Nut	
10	3857778	1	Sump	
11	3856138	1	Gasket kit	
12	3856121	1	Reinforcement	Starboard
13	3856120	1	Reinforcement	Port
14	3853202	4	Stud	
15	3856930	4	Nut	
16	3852595	14	Bolt	
17	21573817	1	Bracket	
18	8692305	1	Oil filter	
19	3875234	1	Cardboard tube	
20		1	• O-ring	not sold separately
21	3887657	2	Hose assembly	
22	3886181	4	Fitting screw	
23		4	• O-ring	not sold separately
24	3888543	4	Clip	
25	3886019	1	Adapter	
26	3852089	1	O-ring	
27	3853495	1	Retainer	
28	3852470	1	O-ring	
29	(3852219)	1	Valve	Obsolete part
30	3852133	2	Screw	
31	21369039	1	Dipstick tube	
32	3852033	1	O-ring	
33	3851981	1	Washer	
34	3587783	1	Fitting	
35	3853674	1	O-ring	
36	3852007	1	Washer	
37	888958	1	Retainer	
38	21107444	1	Dipstick	
39	(3853557)	1	Flange screw	Obsolete part
40		X	Oil	See Maintenance Parts

47703942-21-36220

25361

Upd:2014-03-13

V8-270-B