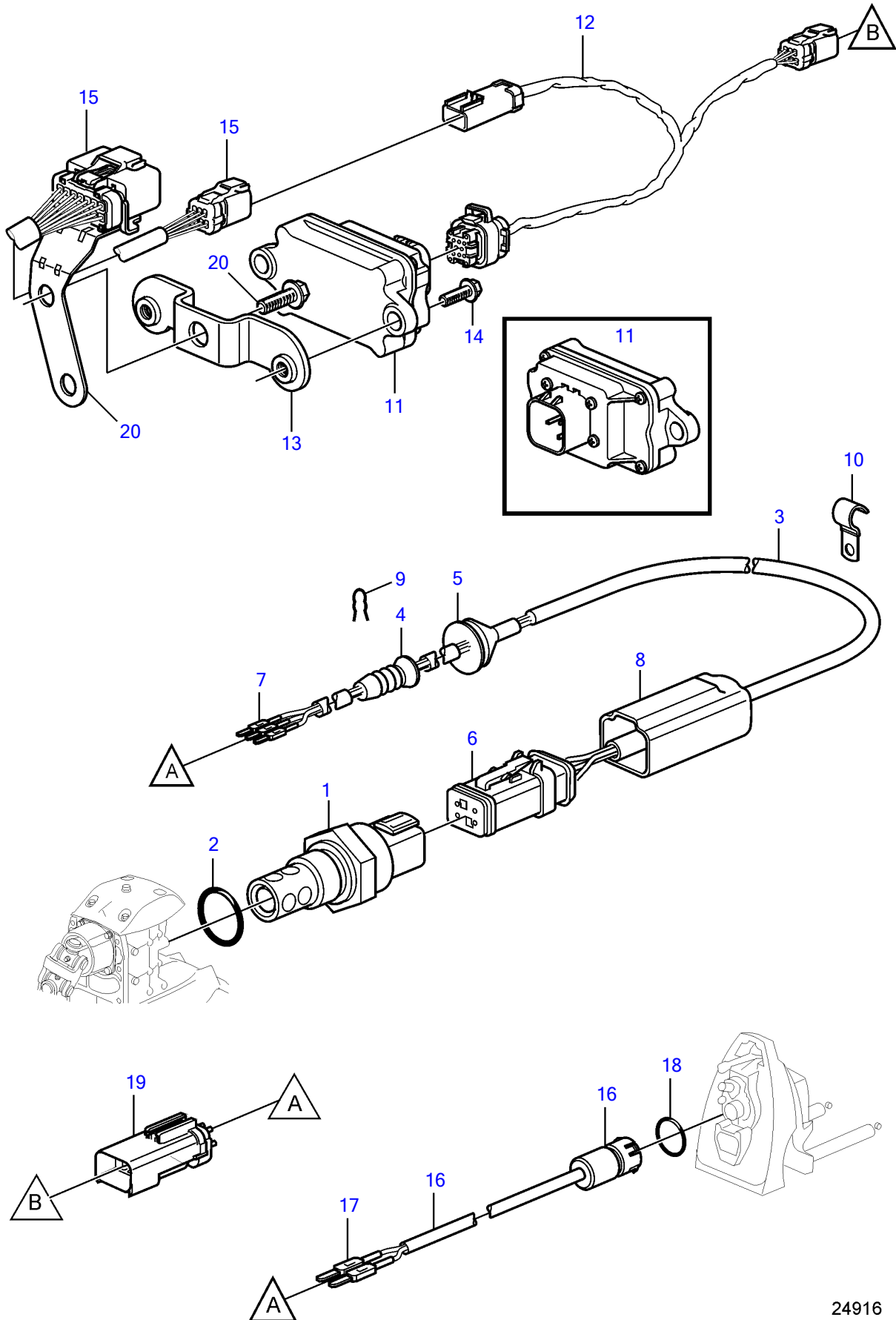


V8-270-A



V8-270-A

| REF | PART NO. | QTY | DESCRIPTION           | NOTES  |
|-----|----------|-----|-----------------------|--|
| 1   | 21174634 | 1   | Sensor                | WID- water in drive oil                      |
| 2   |          | 1   | • O-ring              | not sold separately                          |
| 3   | 21124251 | 1   | Wiring harness        |  |
| 4   |          | 1   | • Plug                | not sold separately                          |
| 5   |          | 1   | • Grommet             | not sold separately                          |
| 6   |          | 1   | • Connector housing   |  |
|     |          | 1   | • • Seal              | not sold separately                          |
| 7   |          | 3   | • Terminal            | not sold separately                          |
| 8   |          | 1   | • Boot                | not sold separately                          |
| 9   | 3852555  | 1   | Retainer              |  |
| 10  | 21174636 | 6   | Attaching clamp       |  |
| 11  | 21206915 | 1   | Module                |  |
| 12  | 21206919 | 1   | Wiring harness        |  |
|     |          | 3   | • Connector housing   | not sold separately                          |
|     |          | X   | • Terminal            | not sold separately                          |
| 13  | 21210873 | 1   | Bracket               |  |
| 14  | 946544   | 2   | Flange screw          |  |
| 15  |          | X   | Cable harness, engine |  |
| 16  | 21292836 | 1   | Sensor                | WIB - water in bellows                       |
|     |          | 1   | • Housing             | not sold separately                          |
| 17  |          | 2   | • Terminal            | not sold separately                          |
| 18  | 3852033  | 1   | • O-ring              |  |
| 19  |          | 1   | Connector housing     |  |
| 20  |          | X   |                       | See engine catalog, "Engine Harness" section |