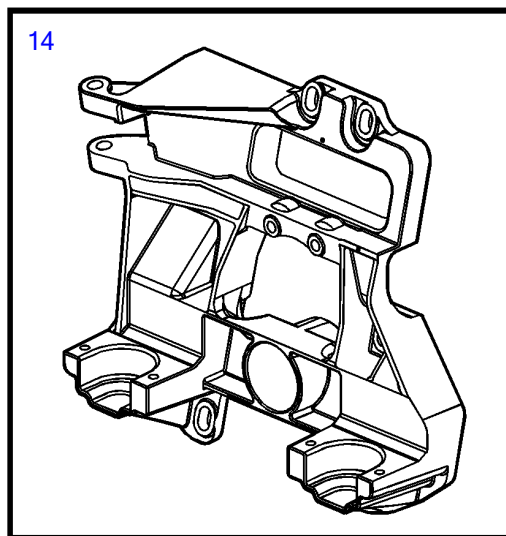
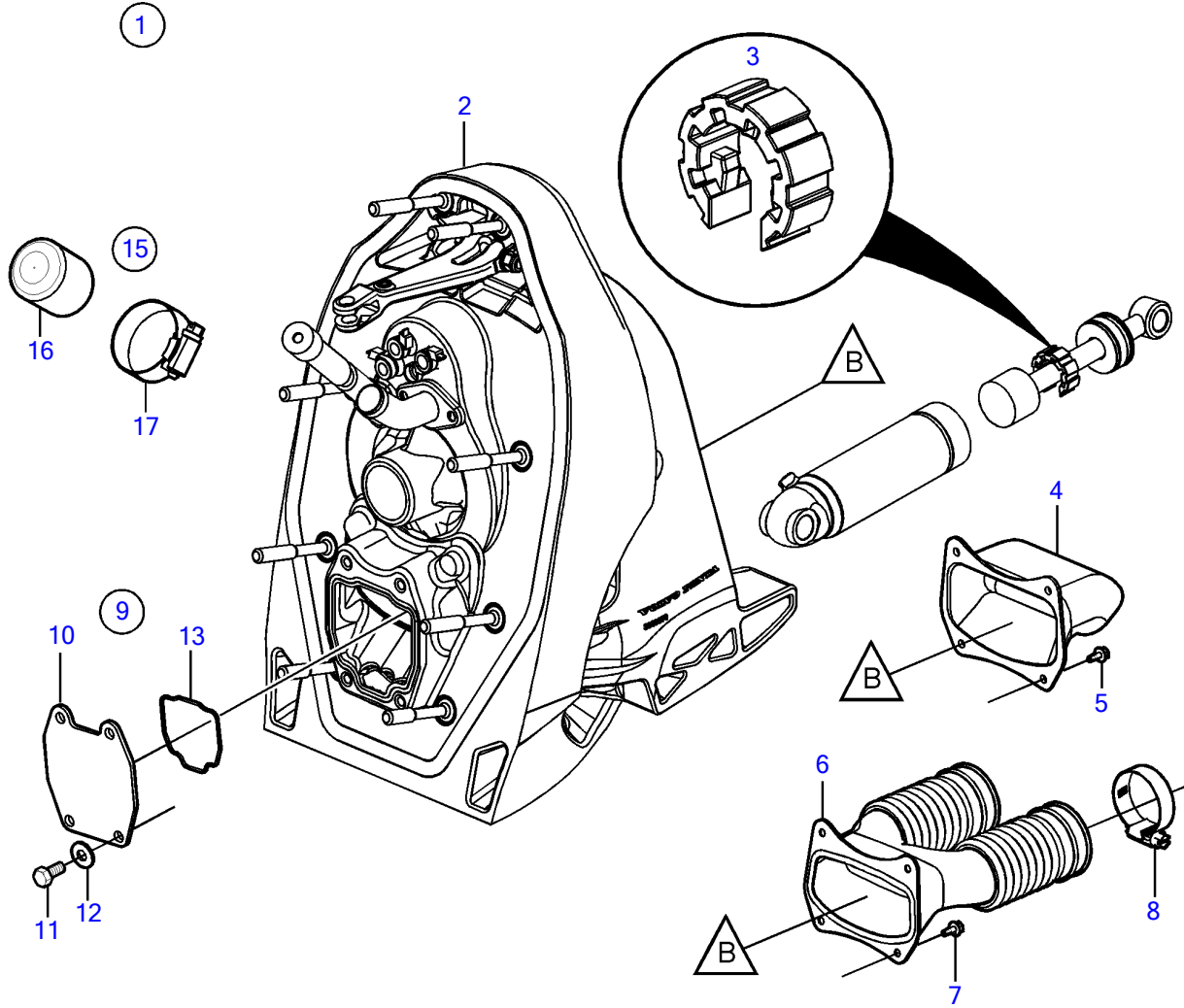


X-B, X-BLT, XHP-B, XHP-BLT, XXP-A, XXP-A, XXP-ALT, XXP-ALT



X-B, X-BLT, XHP-B, XHP-BLT, XXP-A, XXP-A, XXP-ALT, XXP-ALT

REF	PART NO.	QTY	DESCRIPTION	SEE SEC.	NOTES
1	(21485669)	1	Kit		Obsolete part
2		1	• Transom shield, XHP		See XHP-B shield for parts
3		2	• Limiter		trim cylinder
4	3589500	1	• Exhaust outlet, XHP		
5	982283	4	• Flange screw		
6	3885871	1	• Bellows, exhaust		
7	982283	4	• Flange screw		
8	3854978	2	• Hose clamp		
9	3862582	1	• Kit		
10	(3855228)	1	• • Cover plate		Obsolete part
11	3855227	2	• • Hexagon screw		
12	3852002	2	• • Spring washer		
13	3860984	1	• Sealing		
			• Bulletin P-25-2-2	P-25-2-2-EN	Y-pipe seal, gas engines
14	3854605	1	• Shield	4611	
15	3862566	1	• Kit		
16	3852476	1	• • Cardboard tube		
17	3862602	1	• • Hose assembly		