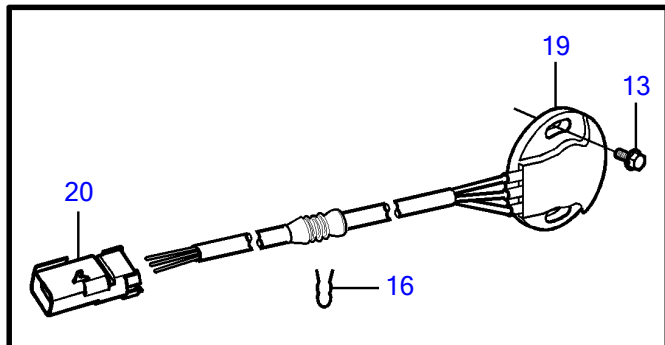
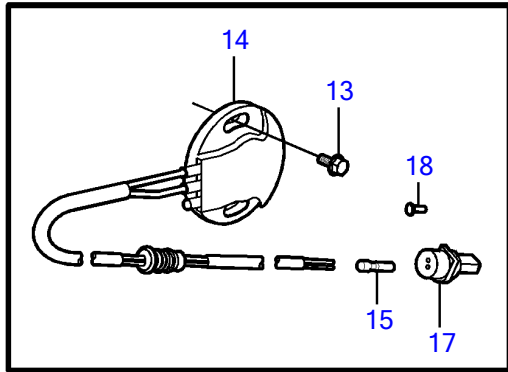
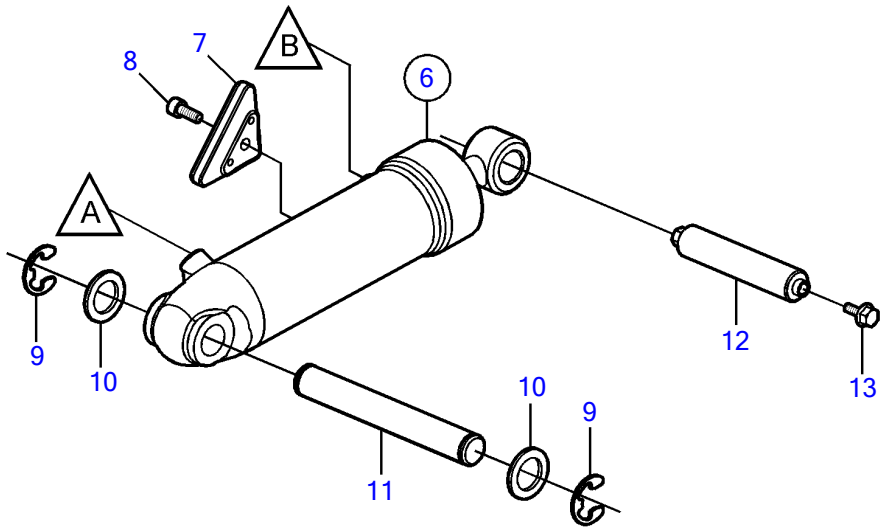
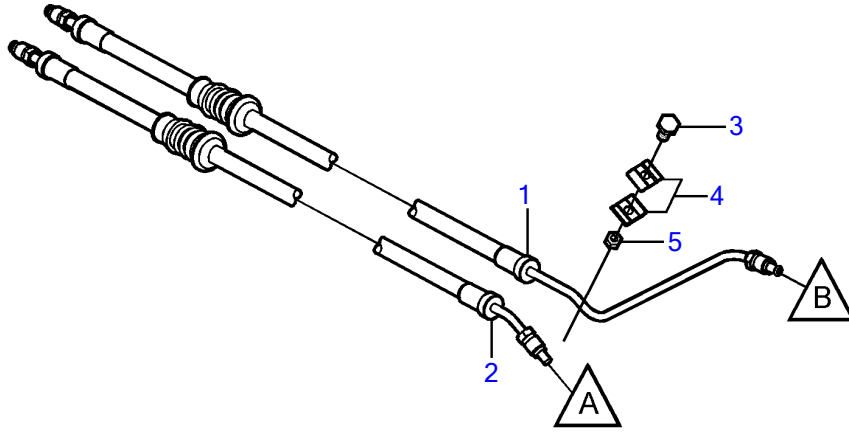


X-B, XHP-B, XXP-A, XXP-D3



X-B, XHP-B, XXP-A, XXP-D3

REF	PART NO.	QTY	DESCRIPTION	NOTES
1	3860374	1	Hydraulic hose	
2	3860373	1	Hydraulic hose	
3	963545	1	Hexagon screw	
4	854628	2	Clamp	
5	944456	1	Hexagon nut	
6	3843513	1	Trimming cylinder	
7	3861583	1	Anode kit	
8	963683	1	• Hex. socket screw	
9	3857521	2	E-circlip	
10	982328	2	Washer	
11	3860379	1	Pin	
12	3860378	1	Pin	
13	982283	3	Flange screw	
14	3861169	1	Sensor	Molded connector
15	(3852257)	2	• Terminal	Obsolete part
16	3852555	1	Retainer	
17	3852239	1	Pin connector	
18	(3852230)	1	Plug	Obsolete part
19	3840832	1	Sensor	FCI connector
20	3884945	1	Cable connection	