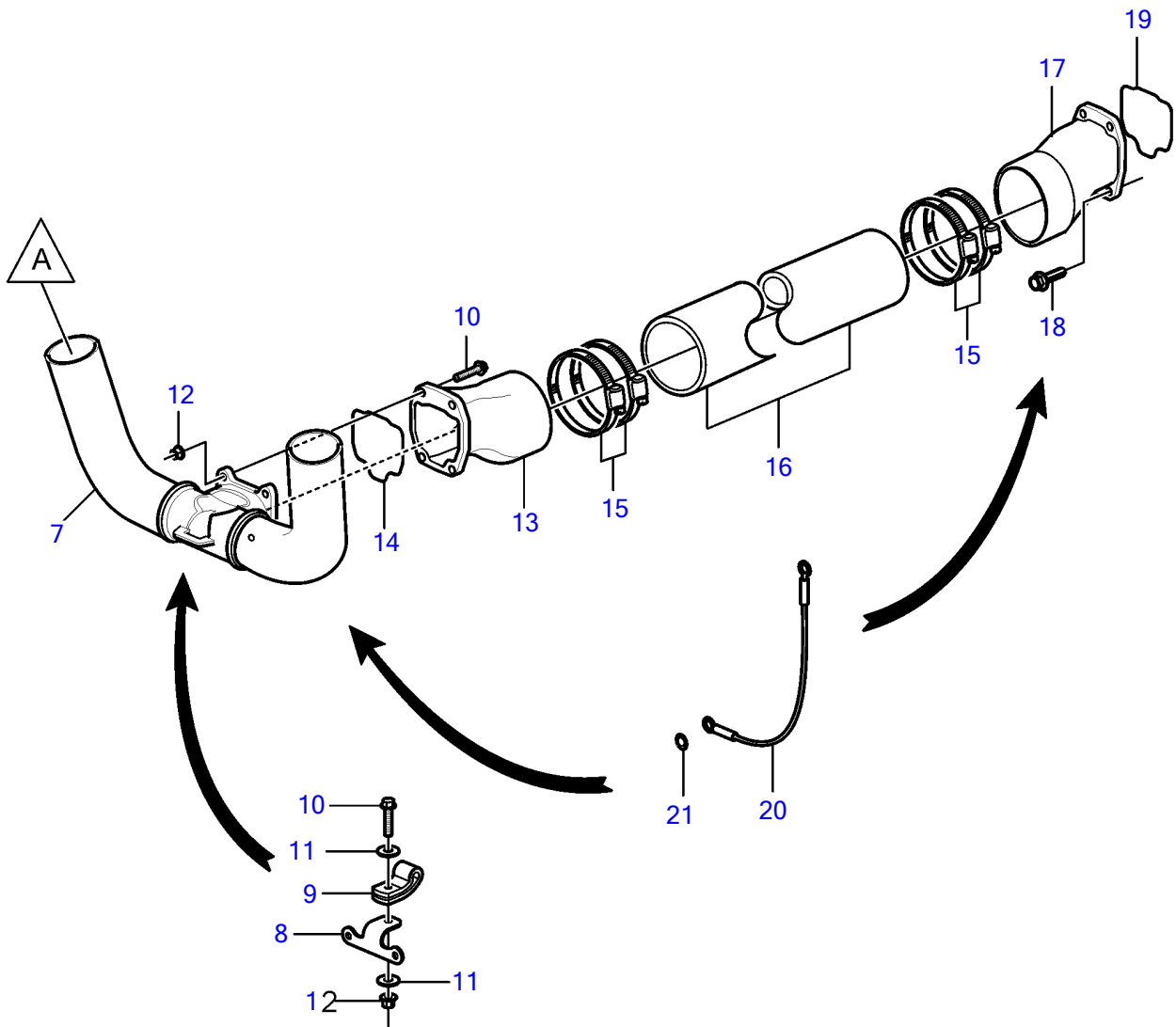
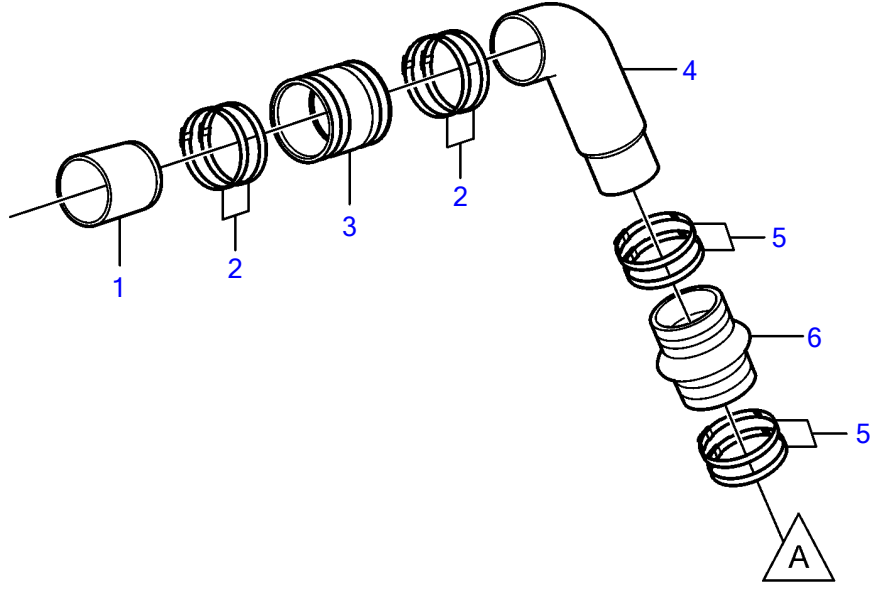


XHP-B, XHP-BLT, XXP-A, XXP-ALT



## XHP-B, XHP-BLT, XXP-A, XXP-ALT

REF	PART NO.	QTY	DESCRIPTION	SEE SEC.	NOTES
1	3862841	2	Pipe		
2	3863443	8	Hose clamp		
3	3852696	1	Hose		
4	3863189	2	Elbow		5.0L, 5.7L
	3847731	2	Exhaust pipe		8.1L
5	3863442	8	Hose clamp		
6	3863450	2	Bellows		
7	(3860821)	1	Exhaust pipe		Obsolete part
8	(3862519)	1	Bracket		Obsolete part
9	(3862518)	1	Strap		Obsolete part
10	965220	5	Flange screw		
11	944633	2	Washer		
12	971098	5	Flange lock nut		
13	3818716	1	Exhaust collector		
14	3860984	1	Sealing		
			• Bulletin P-25-2-2	P-25-2-2-EN	Y-pipe seal, gas engines
15	3843170	4	Hose clamp		
16		1	Hose, exhaust		Cut to length
17	3818699	1	Exhaust collector		
18	3841928	4	Flange screw		
19	3860984	1	Sealing		
			• Bulletin P-25-2-2	P-25-2-2-EN	Y-pipe seal, gas engines
20	3853927	2	Chassis ground cable		
21	(3852070)	2	Washer		Obsolete part