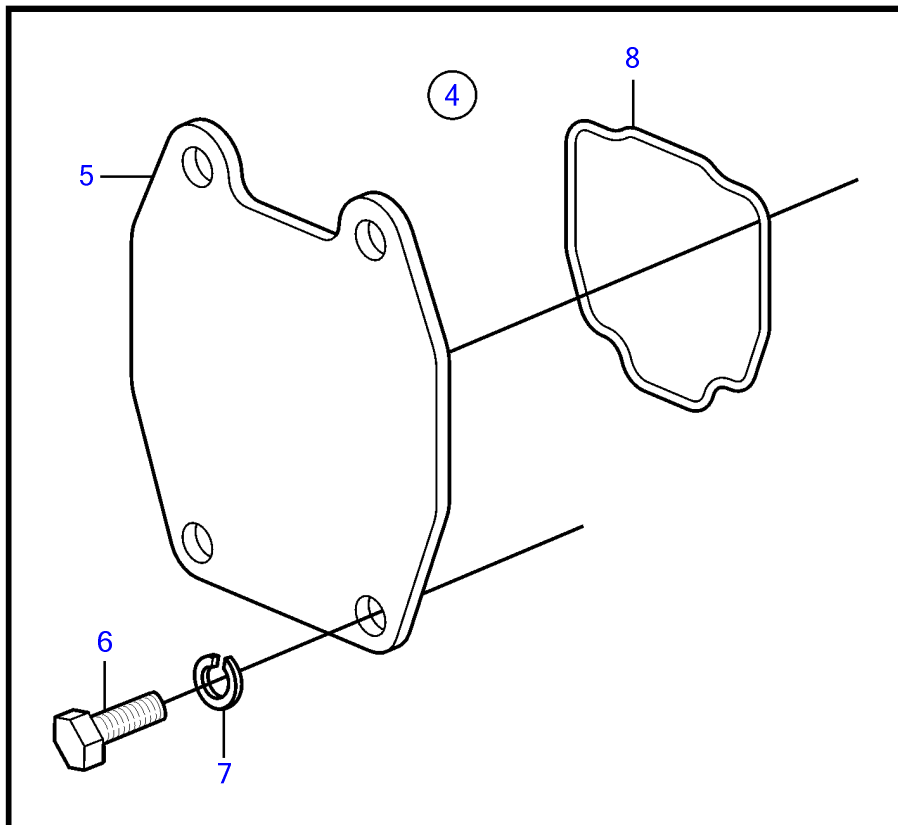
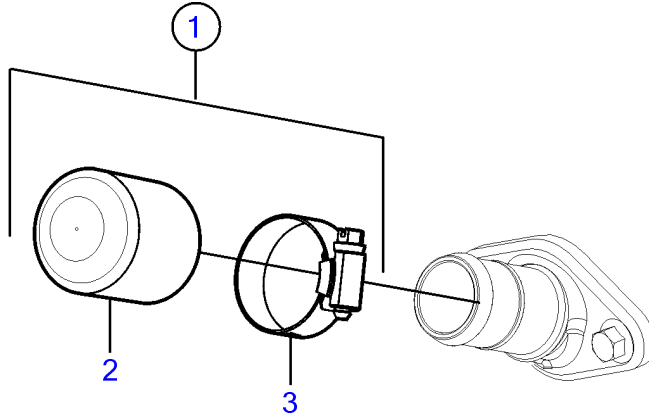


SX-M, SX-MACLT, SX-MBAC, SX-MHP



22305

SX-M, SX-MACLT, SX-MBAC, SX-MHP

REF	PART NO.	QTY	DESCRIPTION	SEE SEC.	NOTES
1	3862566	1	Kit		
2	3812305	1	• Plastic plug		
3	3852602	2	• Hose clamp		
4	3850889	1	Kit		
5		1	• Flange		not sold separately
6	946441	4	• Flange screw		
7	3852002	4	• Spring washer		
8	3587651	1	Kit		
			• Bulletin P-25-2-2	P-25-2-2-EN	Y-pipe seal, gas engines