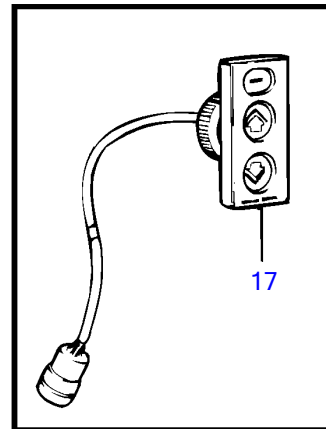
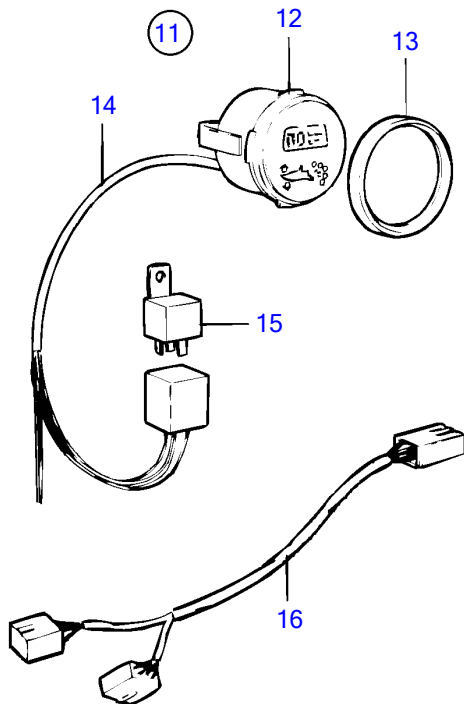
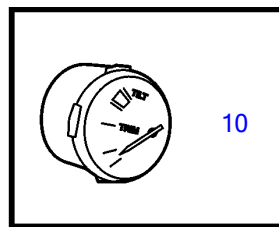
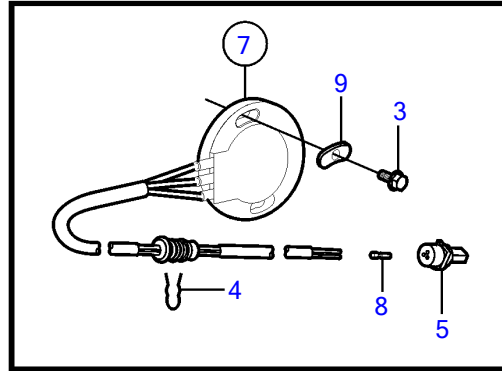
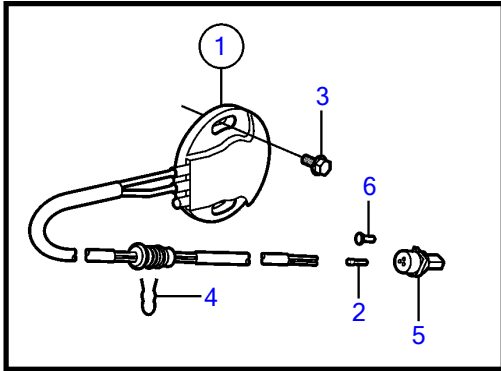


SX-M, SX-MACLT, SX-MBAC, SX-MHP



SX-M, SX-MACLT, SX-MBAC, SX-MHP

REF	PART NO.	QTY	DESCRIPTION	NOTES
1	3863129	1	Kit	3 wire, replaced by next part number
	3594989	1	Sensor	2 wire
2	(3852257)	2	• Terminal	Obsolete part
3	3852081	2	Screw	
4	3852555	1	Retainer	
5	3852239	1	Pin connector	
6	(3852230)	1	Plug	Obsolete part
7	(3855115)	1	Sensor	Dual station, Obsolete part
	3858212	1	Sensor	Digital, replaced by next part number
	21652399	1	Sensor	Digital
8	(3852257)	3	• Terminal	Obsolete part
9	3853458	2	Washer	
10	3851787	1	Adapter kit	Analog
11	(3860248)	1	Kit	Obsolete part, Digital
12	3819708	1	• Instrument kit	
13	858643	1	• • Front ring	
14	856821	1	• Cable kit	
15	1324492	2	• Relay	
16	853066	1	• Cable trunk	
17	3855650	1	Control panel	